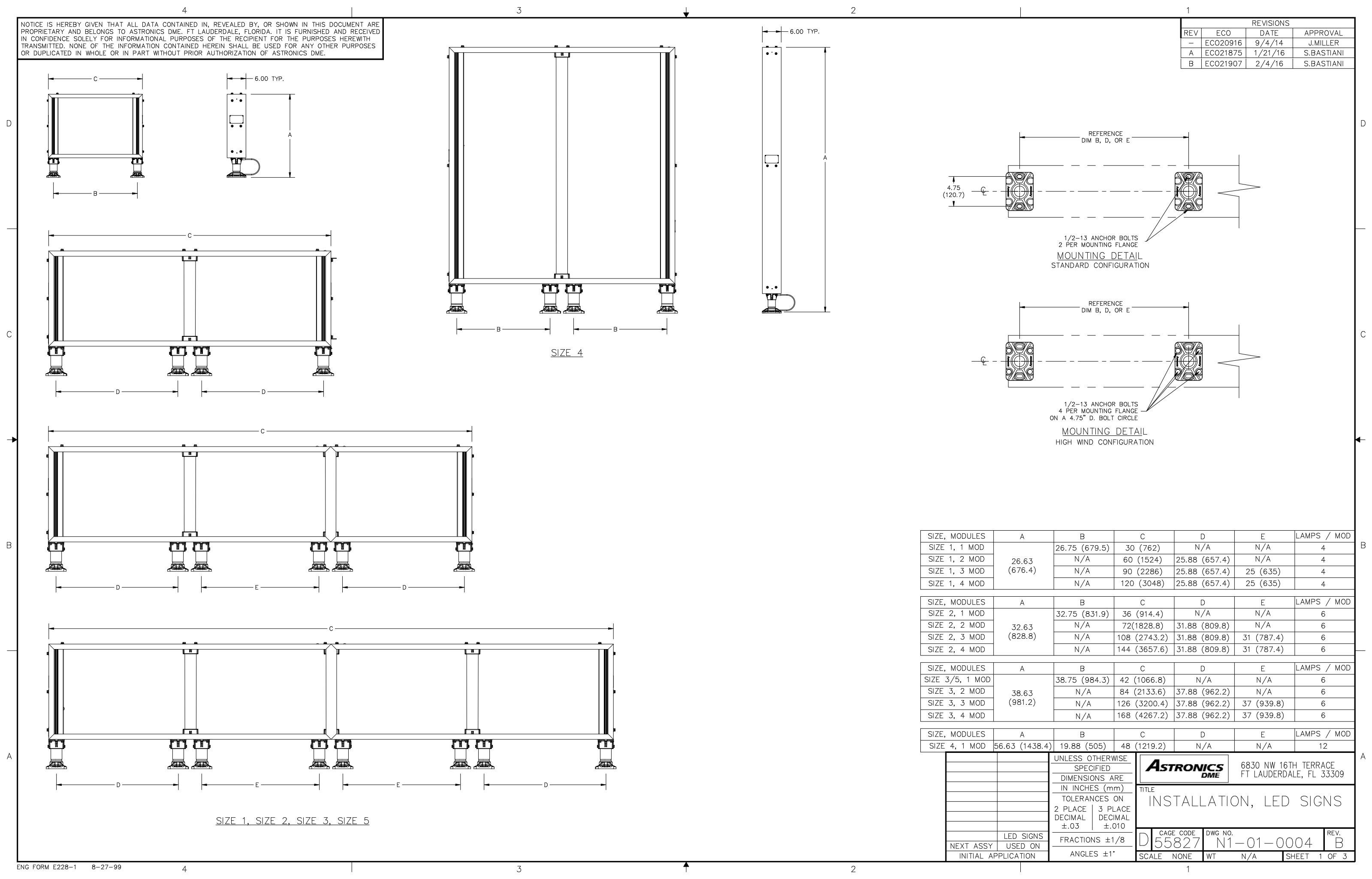


NOTICE IS HEREBY GIVEN THAT ALL DATA CONTAINED IN, REVEALED BY, OR SHOWN IN THIS DOCUMENT ARE PROPRIETARY AND BELONGS TO ASTRONICS DME, FT LAUDERDALE, FLORIDA. IT IS FURNISHED AND RECEIVED IN CONFIDENCE SOLELY FOR INFORMATIONAL PURPOSES OF THE RECIPIENT FOR THE PURPOSES HEREWITH TRANSMITTED. NONE OF THE INFORMATION CONTAINED HEREIN SHALL BE USED FOR ANY OTHER PURPOSES OR DUPLICATED IN WHOLE OR IN PART WITHOUT PRIOR AUTHORIZATION OF ASTRONICS DME.

REVISIONS			
REV	ECO	DATE	APPROVAL
-	ECO20916	9/4/14	J.MILLER
A	ECO21875	1/21/16	S.BASTIANI
B	ECO21907	2/4/16	S.BASTIANI



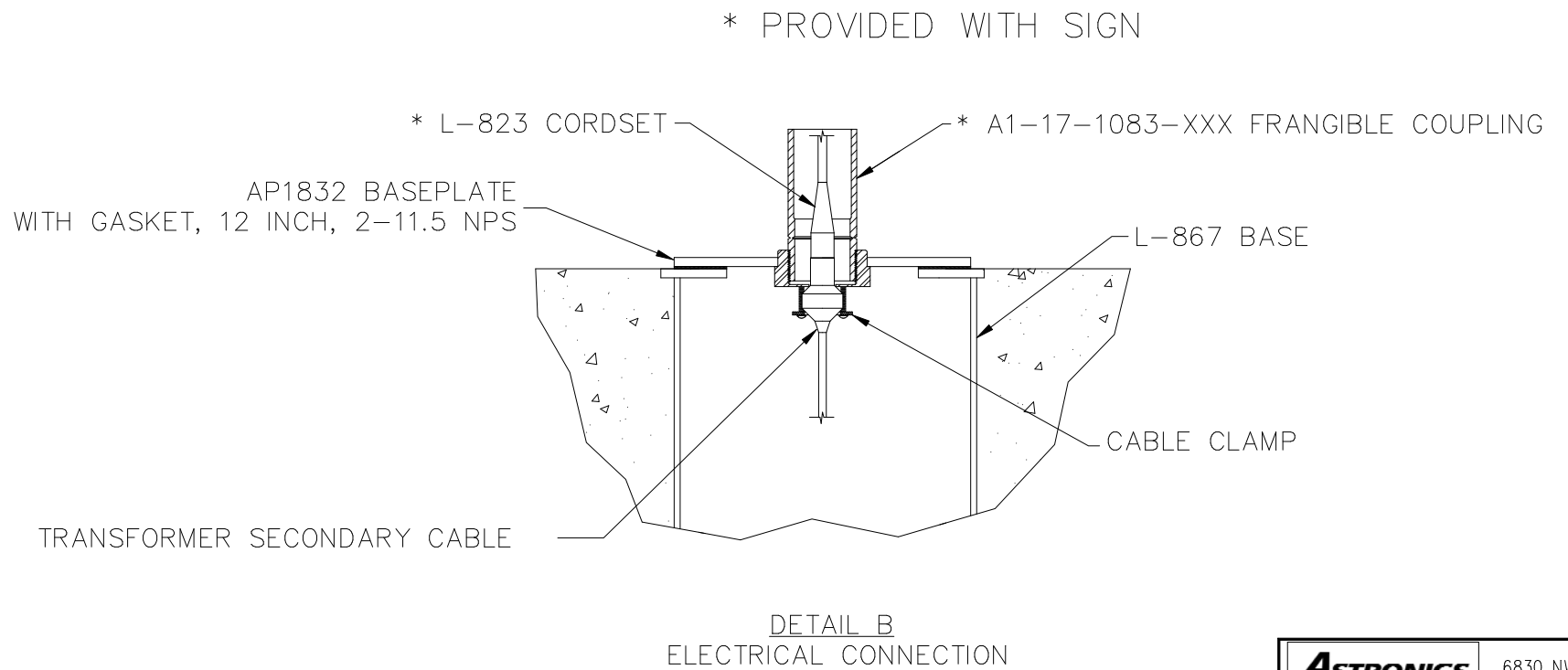
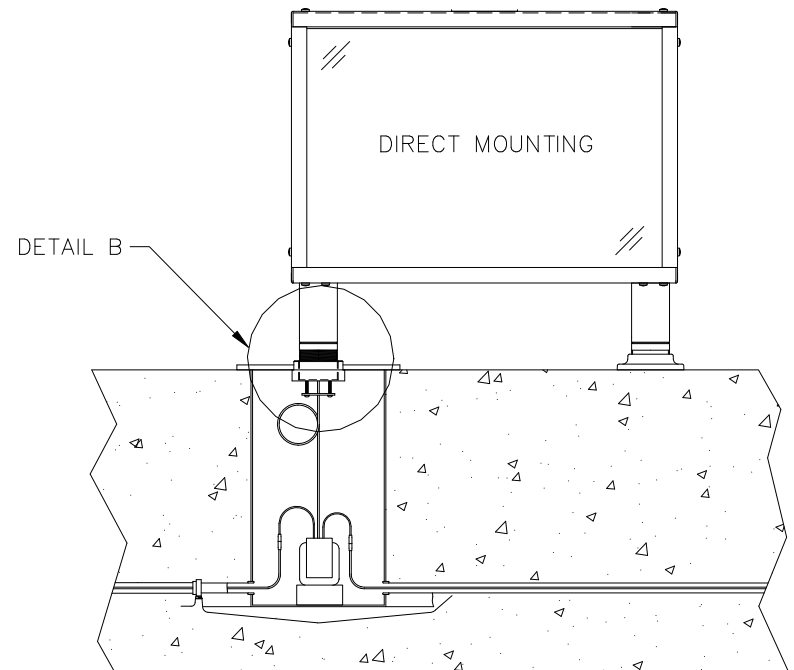
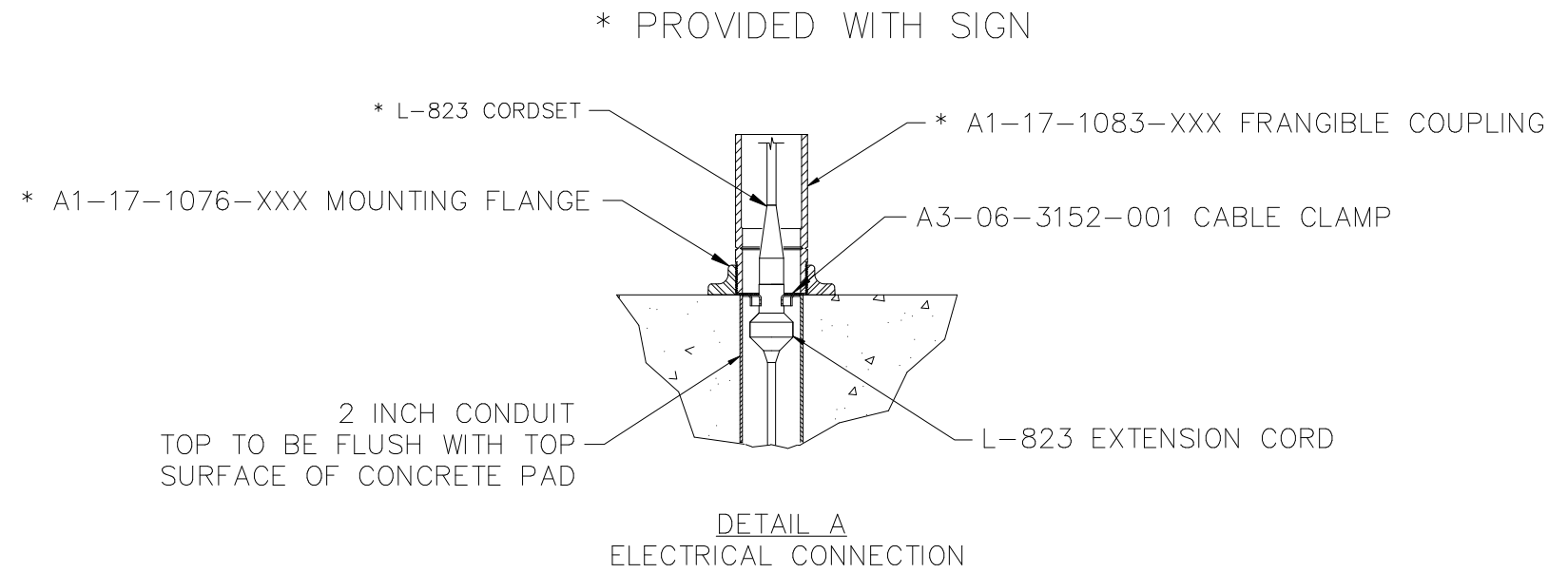
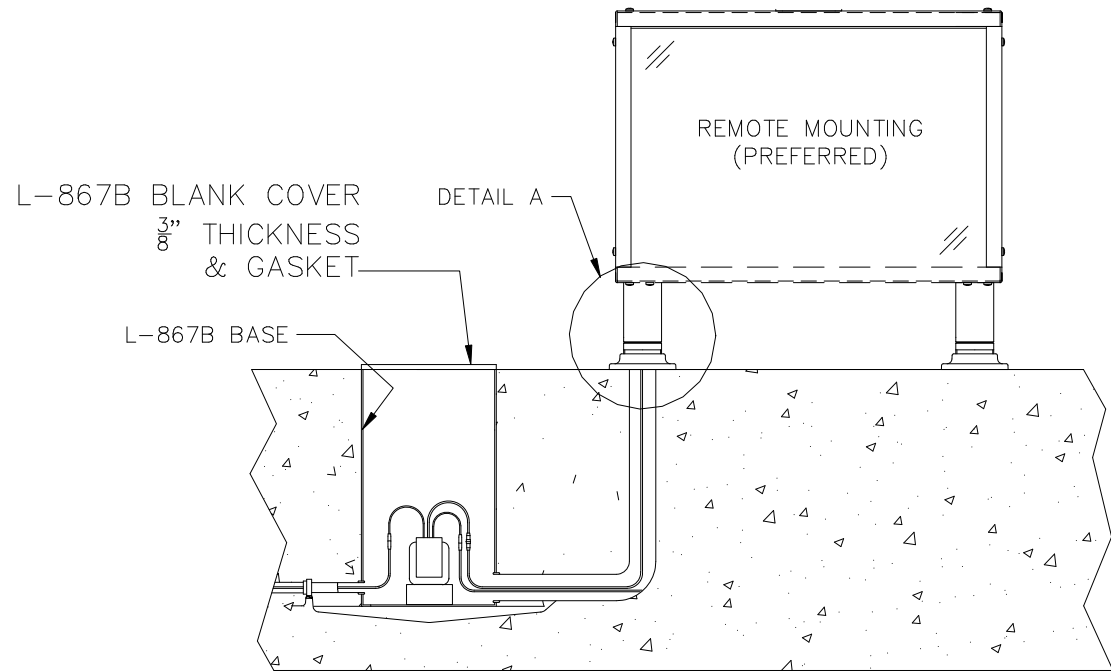
SIZE, MODULES	A	B	C	D	E	LAMPS / MOD
SIZE 1, 1 MOD		26.75 (679.5)	30 (762)	N/A	N/A	4
SIZE 1, 2 MOD	26.63 (676.4)	N/A	60 (1524)	25.88 (657.4)	N/A	4
SIZE 1, 3 MOD		N/A	90 (2286)	25.88 (657.4)	25 (635)	4
SIZE 1, 4 MOD		N/A	120 (3048)	25.88 (657.4)	25 (635)	4

SIZE, MODULES	A	B	C	D	E	LAMPS / MOD
SIZE 2, 1 MOD		32.75 (831.9)	36 (914.4)	N/A	N/A	6
SIZE 2, 2 MOD	32.63 (828.8)	N/A	72(1828.8)	31.88 (809.8)	N/A	6
SIZE 2, 3 MOD		N/A	108 (2743.2)	31.88 (809.8)	31 (787.4)	6
SIZE 2, 4 MOD		N/A	144 (3657.6)	31.88 (809.8)	31 (787.4)	6

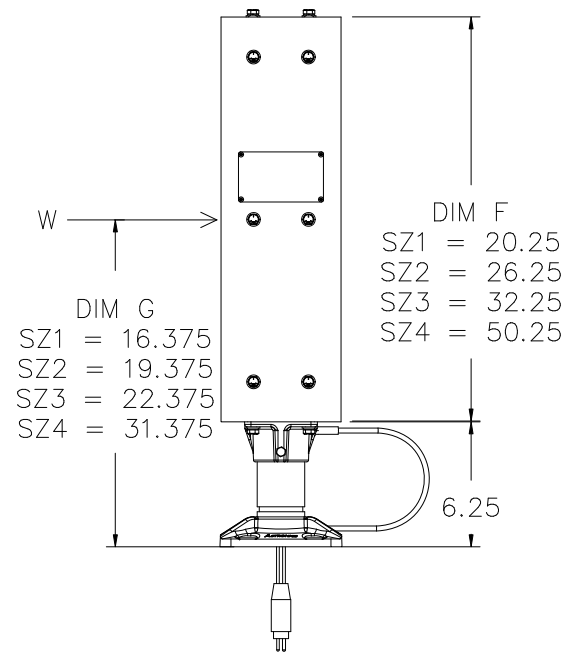
SIZE, MODULES	A	B	C	D	E	LAMPS / MOD
SIZE 3/5, 1 MOD		38.75 (984.3)	42 (1066.8)	N/A	N/A	6
SIZE 3, 2 MOD	38.63 (981.2)	N/A	84 (2133.6)	37.88 (962.2)	N/A	6
SIZE 3, 3 MOD		N/A	126 (3200.4)	37.88 (962.2)	37 (939.8)	6
SIZE 3, 4 MOD		N/A	168 (4267.2)	37.88 (962.2)	37 (939.8)	6

SIZE, MODULES	A	B	C	D	E	LAMPS / MOD
SIZE 4, 1 MOD	56.63 (1438.4)	19.88 (505)	48 (1219.2)	N/A	N/A	12

UNLESS OTHERWISE SPECIFIED DIMENSIONS ARE IN INCHES (mm)		6830 NW 16TH TERRACE FT LAUDERDALE, FL 33309						
TOLERANCES ON 2 PLACE DECIMAL ±.03 3 PLACE DECIMAL ±.010								
LED SIGNS USED ON	FRACTIONS ±1/8	TITLE INSTALLATION, LED SIGNS						
NEXT ASSY	INITIAL APPLICATION	<table border="1"> <tr> <td>CAGE CODE</td> <td>DWG NO.</td> <td>REV.</td> </tr> <tr> <td>D 55827</td> <td>N1-01-0004</td> <td>B</td> </tr> </table>	CAGE CODE	DWG NO.	REV.	D 55827	N1-01-0004	B
CAGE CODE	DWG NO.	REV.						
D 55827	N1-01-0004	B						
ANGLES ±1°		SCALE NONE WT N/A SHEET 1 OF 3						



ASTRONICS DME		6830 NW 16TH TERRACE FT LAUDERDALE, FL 33309	
TITLE INSTALLATION, LED SIGNS			
D	CAGE CODE 55827	DWG NO. N1-01-0004	REV. B
SCALE	NONE	WT	N/A
		SHEET 2	



(200MPH) (PRESSURE=0.9)

SIZE 1, MODULES	T (FT-LBS)	P (LBS)
1 MOD	373	895
2 MOD	373	895
3 MOD	373	895
4 MOD	373	895

SIZE 2, MODULES	T (FT-LBS)	P (LBS)
1 MOD	687	1648
2 MOD	687	1648
3 MOD	687	1648
4 MOD	687	1648

SIZE 3, MODULES	T (FT-LBS)	P (LBS)
1 MOD	1137	2728
2 MOD	1137	2728
3 MOD	1137	2728
4 MOD	1137	2728

SIZE 5, MODULES	T (FT-LBS)	P (LBS)
1 MOD	1137	2728

SIZE 4, MODULES	T (FT-LBS)	P (LBS)
1 MOD	1419	3405

(300MPH) (PRESSURE=2.0)

SIZE 1, MODULES	T (FT-LBS)	P (LBS)
1 MOD	829	1990
2 MOD	829	1990
3 MOD	829	1990
4 MOD	829	1990

SIZE 2, MODULES	T (FT-LBS)	P (LBS)
1 MOD	1526	3662
2 MOD	1526	3662
3 MOD	1526	3662
4 MOD	1526	3662

SIZE 3, MODULES	T (FT-LBS)	P (LBS)
1 MOD	2526	6061
2 MOD	2526	6061
3 MOD	2526	6061
4 MOD	2526	6061

SIZE 5, MODULES	T (FT-LBS)	P (LBS)
1 MOD	2526	6061

SIZE 4, MODULES	T (FT-LBS)	P (LBS)
1 MOD	3153	7568

ANCHORING LOADS
STANDARD CONFIGURATION

SIZES 1,2,3,5

$$W = F * C * \text{PRESSURE} / (2N)$$

SIZE 4

$$W = F * C * \text{PRESSURE} / (4N)$$

$$T = W * (G/12)$$

WHERE:

W = WIND LOADING PER LEG (LB)

T = TORQUE RESISTED AT MOUNTING FLANGE (FT-LB)

F = HEIGHT OF SIGN FACE

C = LENGTH OF SIGN FACE

G = BASE OF MTG FLANGE TO CENTER OF SIGN FACE

N = NUMBER OF MODULES

$$P = T * 12 / 4.7$$

WHERE:

P = TENSION LOAD IN CONCRETE ANCHOR BOLT

T = TORQUE RESISTED AT MOUNTING FLANGE (FT-LB)

ASTRONICS DME		6830 NW 16TH TERRACE FT LAUDERDALE, FL 33309	
TITLE INSTALLATION, LED SIGNS			
D	CAGE CODE 55827	DWG NO. N1-01-0004	REV. B
SCALE	NONE	WT	N/A
		SHEET 3	