

L-862, L-862E & L-862S LED

High Intensity Runway Light



COMPLIANCES

L-862(L), L-862E(L), L-862S(L)
 FAA AC 150/5345-46 (current edition)
 FAA Engineering Brief 67D



ETL Certified

Meets "Buy American" requirements.

PRODUCT APPLICATION

The Navigate Series® L-862 LED elevated runway fixtures are used on runway edge, threshold, displaced threshold and precision IFR runways.

The Navigate Series® L-862E LED light fixtures are used on runway threshold/ends, displaced threshold and precision IFR runways.

The Navigate Series® L-861S LED light fixtures are used for stop bar applications.

FEATURES

- Die cast aluminum body.
- Total Harmonic Distortion (THD) less than 1.1%.
- Less than 35VA at the highest step for the standard runway fixture.
- Fixture MTBF is greater than 50,000 hours.
- Complies with intensity requirements for 3-step and 5-step circuit.
- Requires a 30/45W isolation transformer for any bi-directional L-862 type, and a 65W with arctic kit.
- Requires a 20/25W isolation transformer for uni-directional L-862E and L-862S, and a 30/45W with arctic kit.
- All hardware is corrosion resistant, 316 stainless steel.
- Tempered glass lens is heat and shatter resistant.
- Easy to maintain - no special tools needed.
- Operates on any type of CCR.

ELEVATED LIGHTS - 1.6

ORDERING INFORMATION

L-862 LED Order Number:

L-862-L-XX-XX-X

Runway Edge Light

Fixture Type:

862 = L-862
 L = LED

Color:

WW = White / White
 WY = White / Yellow
 YW = Yellow / White
 WR = White / Red
 RW = Red / White
 RY = Red / Yellow
 YR = Yellow / Red
 GY = Green / Yellow
 YG = Yellow / Green

Fixture Height:

14 = 14 inches overall height
 24 = 24 inches overall height
 30 = 30 inches overall height

0 = Without Arctic Kit
 1 = With Arctic Kit

L-862E & S LED Order Number:

L-862E/S-L-XXX-XX-X

**Runway Threshold/End Displaced
 Threshold Light**

Fixture Type:

862E = L-862E
 862S = L-862S
 L = LED

Color:

E type only:

GRL = Green Left Toe-In / Red Straight
 GRR = Green Right Toe-In / Red Straight
 GBL = Green Left Toe-In / Blank
 GBR = Green Right Toe-In / Blank
 RRR = Red Straight Right / Red Straight Left
 BRL = Red Straight Left / Blank
 BRR = Red Straight Right / Blank

S type only:

RB = Red / Blank

Fixture Height:

14 = 14 inches overall height
 24 = 24 inches overall height
 30 = 30 inches overall height

0 = Without Arctic Kit
 1 = With Arctic Kit

RENEWAL PARTS

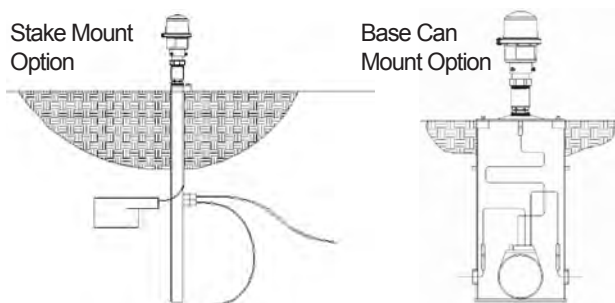
Description	Part Number
Head Assembly Replacement Kit	
Yellow w/o Heater	K1-02-0055-001
Red w/o Heater	K1-02-0055-002
Green w/o Heater	K1-02-0055-003
White w/o Heater	K1-02-0055-004
Yellow w/ Heater	K1-02-0055-005
Red w/ Heater	K1-02-0055-006
Green w/ Heater	K1-02-0055-007
White w/ Heater	K1-02-0055-008
Power Cable Replacement Kit	K1-02-0056-001
Driver Board Replacement Kit	K1-02-0054-001
Frangible Kit	K1-02-0051-001
EMT	
10.5 inch overall height	A1-17-1047-004
20.5 inch overall height	A1-17-1047-005
26.5 inch overall height	A1-17-1047-006
Silicone Heater Ring (for Arctic version)	A1-17-1134-004

ACCESSORIES

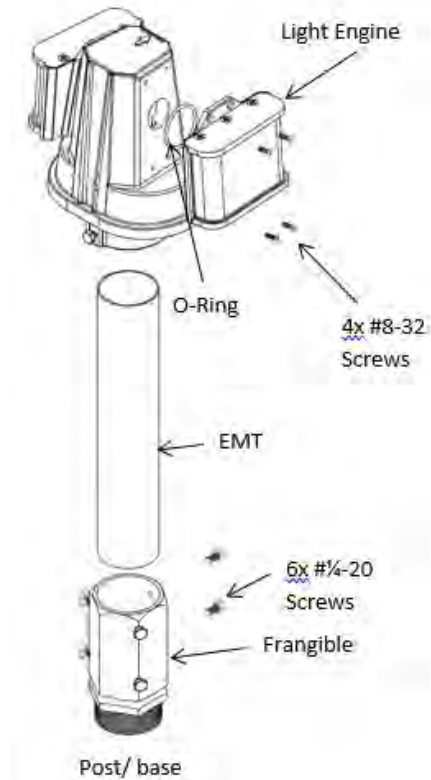
Description	Part Number	Approx. Wt.
L-867 Base Can	AC2124-2Q2-00301	52 lb/23.6 kg
Stake Mount 2" hub	AW2202	8 lb/3.6 kg
Isolation Transformer - 30/45w*	11680	4.2 lb/1.9 kg
Base Plate	AP1932	8 lb/3.6 kg

*Without heater; 65w with heater.

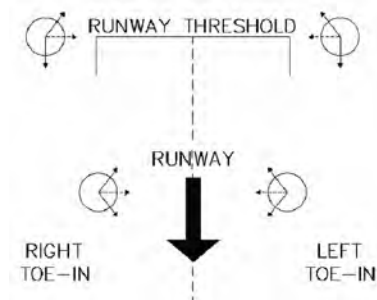
INSTALLATION OPTIONS



EXPLODED VIEW



TOE-IN INFORMATION



L-862, L-862E & L-862S TRANSFORMER REQUIREMENTS

Type	Series Circuit	Required Transformer	Part Number
Unidirectional Without Arctic Kit	6.6A, 60Hz	L-830-17 (20/25W)	11729
	6.6A, 50Hz	L-831-17 (20/25W)	11733
	20A, 60Hz	L-830-2 (30/45W)	11681
	20A, 50Hz	L-831-2 (30/45W)	11723
Bidirectional Without Arctic Kit	6.6A, 60Hz	L-830-1 (30/45W)	11680
	6.6A, 50Hz	L-831-1 (30/45W)	11710
	20A, 60Hz	L-830-2 (30/45W)	11681
	20A, 50Hz	L-831-2 (30/45W)	11723
Unidirectional With Arctic Kit	6.6A, 60Hz	L-830-1 (30/45W)	11680
	6.6A, 50Hz	L-831-1 (30/45W)	11710
	20A, 60Hz	L-830-2 (30/45W)	11681
	20A, 50Hz	L-831-2 (30/45W)	11723
Bidirectional With Arctic Kit	6.6A, 60Hz	L-830-3 (65W)	11682
	6.6A, 50Hz	L-831-3 (65W)	11712
	20A, 60Hz	L-830-5 (100W)	11684
	20A, 50Hz	L-831-5 (100W)	11714

L-862, L-862E & L-862S FIXTURE + TRANSFORMER LOAD *VA/PF

Type		VA	PF
L-862	Bidirectional Without Arctic Kit	52.2	0.987
	Bidirectional With Arctic Kit	59.2	0.987
L-862E	Bidirectional Without Arctic Kit	32.1	0.953
	Bidirectional With Arctic Kit	39.1	0.953
L-862S	Unidirectional Without Arctic Kit	27.3	0.988
	Unidirectional With Arctic Kit	34.3	0.988

*Worst case values are listed.