

AIRFIELD GUIDANCE SIGNS - 5.1

COMPLIANCES

L-858Y(L), L-858R(L), L-858L(L), L-858B(L)
FAA AC 150/5345-44 (current edition)
FAA Engineering Brief 67D



ETL Certified

PATENT PENDING

Meets "Buy American" requirements.

PRODUCT APPLICATION

The Navigate Series® Airfield Guidance Signs are used in the following applications:

- L-858Y – Direction, Destination, and Boundary sign; black legend on a yellow background
- L-858R – Mandatory Instruction sign; black outline on outside edge of white legend on a red background
- L-858L – Taxiway Location sign; yellow legend and border on a black background
- L-858B – Runway Distance Remaining sign; white legend on a black background

FEATURES

- First LED signs on the market to meet new AC 150/5345-44K.
- Low VA consumption.
- Uses long life LED technology with 50,000+ hours of projected life.
- Design that virtually eliminates hot spots and shadows.
- Designed to operate on all steps of a 3-step or 5-step CCR and on a 5.5A CCR using the same size isolation transformer.
- Uses LED sequencing technology to minimize energy consumption.
- A single isolation transformer can drive up to one 4-module sign.
- Easy to handle and install due to lightweight, thin design.
- External power disconnect switch (optional) to isolate the sign from the circuit for maintenance.
- Available in 200 MPH (FAA Mode 2) and 300 MPH (FAA Mode 3) versions.

ORDERING INFORMATION

L858- MX- X- X- X- (X)

Sign Type

Number of Modules

- M1 = One single module
- M2 = One double module
- M3 = One triple module
- M4 = One quad module

Sign Size

X = 1,2,3,4 or 5

Refer to "Dimensions" section for height and length of each size.

Mode

- 2 = Withstands exposure to a wind speed of 200 MPH (322 km/h)
- 3 = Withstands exposure to a wind speed of 300 MPH (483 km/h)

External On/Off Switch

- 0 = Without Switch
- 1 = With Switch
- 2 = With Switch & Cover

Single-Face Option

B = Single-Face
(leave this option blank for Double-Face)

CONFIGURATIONS

The Navigate Series® airfield guidance signs are available in the configurations defined below.

L-858 Type	Module	Size	Style	Mode	Class
Y,R,L	1,2,3,4	1,2,3	2,3,5	2,3	2
B	1	4	2,3,5	2	2
B	1	5	2,3,5	2,3	2

Style 2 = 3-step (4.8A to 6.6A) CCR, 50/60 Hz
Style 3 = 5-step (2.8A to 6.6A) CCR, 50/60 Hz
Style 5 = 1-step (5.5A) Series Lighting Circuit, 50/60 Hz

Mode 2 = 200 MPH
Mode 3 = 300 MPH

Class 2 = -40 °F (-40 °C) to 131 °F (55 °C)



DIMENSIONS

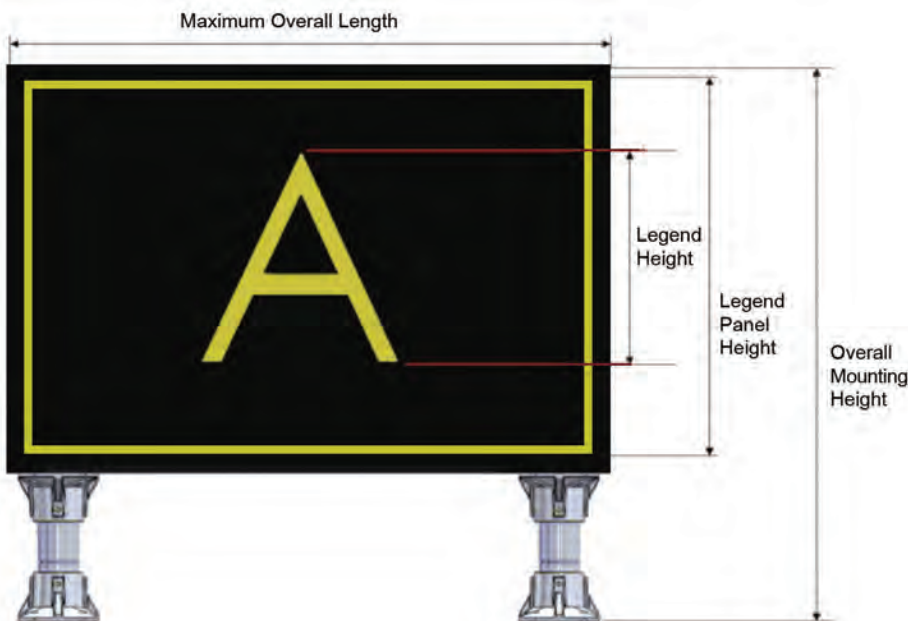
Sign Heights

Sign Type	Size	Legend Ht. In. (cm)	Legend Panel Ht. In. (cm)	Overall Mounting Ht. In. (cm)
L-858 Y/R/L	1	12 (30.5)	18 (45.7)	26.5 (67.3)
L-858 Y/R/L	2	15 (38.1)	24 (61.0)	32.5 (82.6)
L-858 Y/R/L	3	18 (45.7)	30 (76.2)	38.5 (97.8)
L-858 B	4	40 (101.6)	48 (121.9)	56.5 (143.5)
L-858 B	5	25 (63.5)	30 (76.2)	38.5 (97.8)

Sign Lengths

Sign Size	1 Module In. (cm)	2 Module In. (cm)	3 Module In. (cm)	4 Module In. (cm)
1	30 (76.2)	60 (152.4)	90 (228.6)	120 (304.8)
2	36 (91.4)	72 (182.9)	108 (274.3)	144 (365.8)
3	42 (106.7)	84 (213.4)	126 (320.0)	168 (426.7)
4	48 (121.9)	N/A	N/A	N/A
5	42 (106.7)	N/A	N/A	N/A

The sign depth is 6 inches (15.2 cm) for all sign sizes.



ACCESSORIES

Description	Part Number	Approx. Wt.
L-867 Base Can	AC2124-2Q2-00301	52 lb/24 kg
L-823 Primary Connector Kit (8 AWG, .320"/.430")	11174-01	0.335 lb/ 0.15 kg
L-823 Complete Kit (8 AWG, .320"/.430")	11805-01	0.335 lb/ 0.15 kg
Heat Shrink Tubing Kit	A2-20-0089-001	0.5 lb/ 0.23 kg
L-867B Base Plate, 1/8"	AP1932	7 lb/3.2 kg
L-867B Cover Plate, 3/8"	AK100006	20 lb/9 kg
Gasket	10530287	0.4 lb/ 0.2 kg
Secondary Cable Assembly, 6 feet (2 meters)	11339-06-072	

RENEWAL PARTS

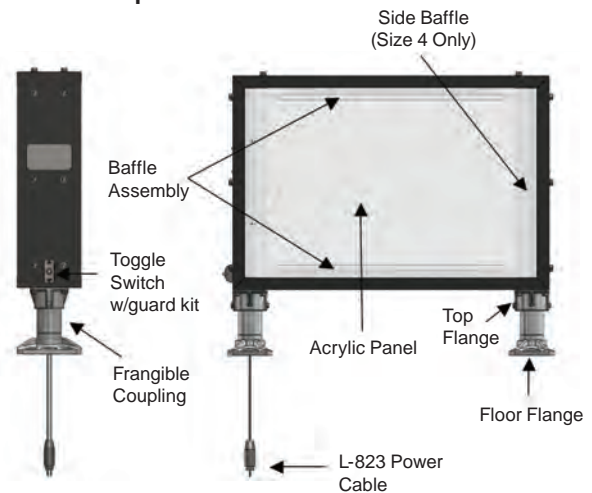
Description	Part Number
On/Off Switch Replacement Kit	K2-02-0006-001
On/Off Switch w/Cover Replacement Kit	K2-02-0006-002
Sign Maintenance Tool Kit	K1-02-0049-001
Top flange	A1-17-1075-001
Frangible coupling	
Size 1, 200 MPH	A1-17-1083-001
Size 1, 300 MPH	A1-17-1083-002
Size 2, 200 MPH	A1-17-1083-003
Size 2, 300 MPH	A1-17-1083-004
Size 3/5, 200 MPH	A1-17-1083-005
Size 3/5, 300 MPH	A1-17-1083-006
Size 4, 200 MPH	A1-17-1083-007
Floor flange, 200 MPH	A1-17-1076-001
Floor flange, 300 MPH	A1-17-1076-002
Steel tether (not shown)	A1-05-0565-001
Replacement acrylic panel, clear	
Size 1, M1	K2-02-0011-001
Size 1, M2	K2-02-0011-006
Size 2, M1	K2-02-0011-002
Size 2, M2	K2-02-0011-007
Size 3/5, M1	K2-02-0011-003
Size 3, M2	K2-02-0011-008
Size 4, M1	K2-02-0011-004
Replacement acrylic panel, black	
Size 1, M1	K2-02-0012-001
Size 1, M2	K2-02-0012-006
Size 2, M1	K2-02-0012-002
Size 2, M2	K2-02-0012-007
Size 3/5, M1	K2-02-0012-003
Size 3, M2	K2-02-0012-008
Size 4, M1	K2-02-0012-004
Uniting Strip	
Size 1, Red	A1-18-2186-001
Size 2, Red	A1-18-2186-002
Size 3, Red	A1-18-2186-003
Size 1, Black	A1-18-2186-004
Size 2, Black	A1-18-2186-005
Size 3, Black	A1-18-2186-006
Size 1, Yellow	A1-18-2186-007
Size 2, Yellow	A1-18-2186-008
Size 3, Yellow	A1-18-2186-009
Snap bushing, heyco 2126	A1-04-0231-001
Rubber grommet, RG-3	A1-04-0232-001
PWA driver kit	K2-02-0007-001
LED replacement kit	K2-01-0087-001
L-823 power cable	
Without toggle switch	K2-02-0008-001
With toggle switch	K2-02-0008-002

Description	Part Number
Baffle assembly kit	
Size 1	K2-02-0009-001
Size 2	K2-02-0009-002
Size 3/5	K2-02-0009-003
Size 4	K2-02-0009-004
Side baffle, size 4 only	K2-02-0009-005

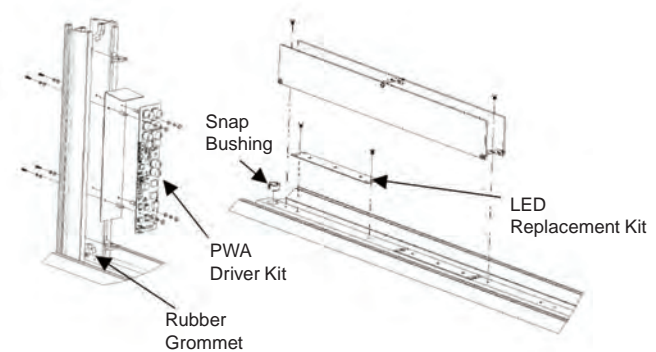
Call for information on wire harness assembly kits and wire harness extender kits.

EXPLODED VIEW

External Components



Internal Components



POWER FACTOR AND VA LOAD

Sign Size	Number of Modules	Power Factor	Volt Amp (VA) Load*
1	4	0.74	58
1	3	0.75	53
1	2	0.76	47
1	1	0.74	45
2	4	0.72	74
2	3	0.75	63
2	2	0.73	56
2	1	0.82	44
3	4	0.75	85
3	3	0.73	76
3	2	0.79	43
3,4,5	1	0.8	53

* Fixture Load + Isolation Transformer

ISOLATION TRANSFORMER REQUIREMENTS

Series Circuit	Required Transformer	Part Number
6.6 A, 60 Hz	L-830-4 (100W)	11683
6.6 A, 50 Hz	L-831-4 (100W)	11683
20 A/6.6 A, 50 Hz	L-831-5 (100W)	11714
20 A/6.6 A, 60 Hz	L-830-5 (100W)	11684

WEIGHT

Size	Module	Approx. Weight lb(kg)
1	Single	45 (20)
1	Double	75 (34)
1	Triple	100 (45)
1	Quad	125 (57)
2	Single	55 (25)
2	Double	95 (43)
2	Triple	130 (59)
2	Quad	165 (75)
3 & 5	Single	70 (32)
3 & 5	Double	122 (55)
3 & 5	Triple	170 (77)
3 & 5	Quad	215 (98)
4	Single	120 (54)

6830 NW 16th Terrace • Ft. Lauderdale, FL 33309 USA
Phone: 1.937.652.3500 • E-mail: AFLsales@HugheyAndPhillips.com • www.HugheyAndPhillips.com