



IN-PAVEMENT LIGHTS - 2.5

COMPLIANCES

L-852J(L), L-852K(L)
FAA AC 150/5345-46 (current edition) FAA
Engineering Brief 67D



ETL Certified

Meets "Buy American" requirements.

PRODUCT APPLICATION

The Navigate Series® L-852 J/K LED Style-3 inset fixtures are used to delineate taxiway centerlines on curved sections.

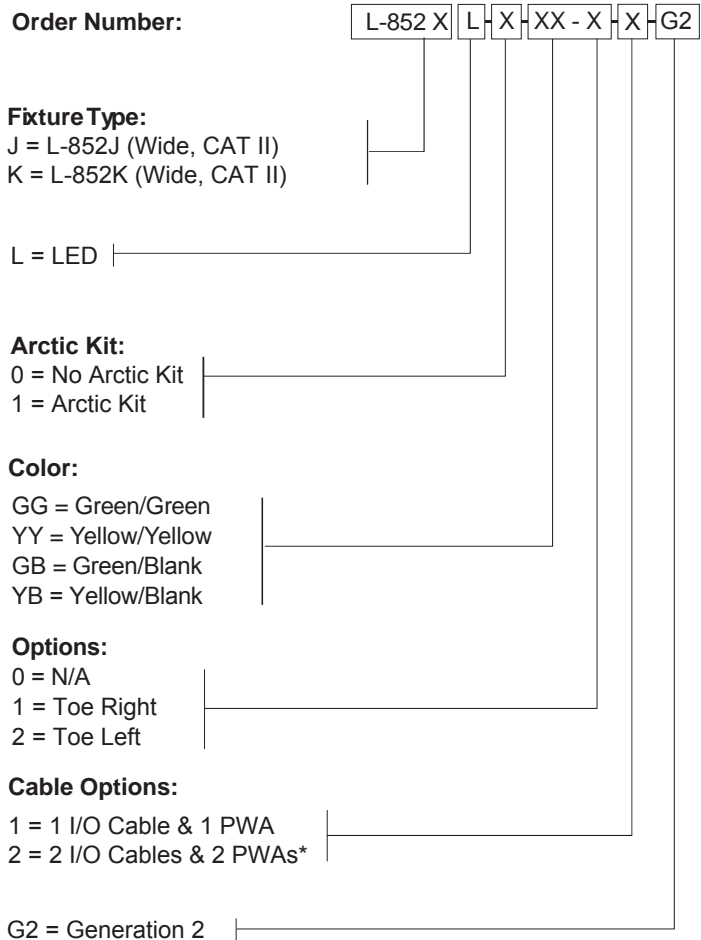
L-852J: Taxiway centerline, Curved sections;
Clearance bar (≥1200 Runway Visual Range (RVR))

L-852K: Taxiway centerline, Curved sections;
Clearance bar (<1200 RVR)

FEATURES

- High-powered LEDs with optically matched glass lenses.
- Easy to maintain. All renewal parts are field replaceable.
- Pressure test valve for seal integrity verification.
- LED life greater than 50,000 hours under high intensity conditions.
- Optional thermostatically controlled heater (Arctic Kit) that cycles on and off when temperature drops below freezing, reducing overall energy consumption.
- Seals tested to resist Cryotech XT350, EX180, and E36 de-icing fluids.

ORDERING INFORMATION



* Available for bidirectional fixtures only

ACCESSORIES

| Description | Part Number |
|--|------------------|
| L-868B Base Can, 24" Deep | AC2424-2Q2-00303 |
| L-823 Primary Connector Kit (8 AWG, .320"/.430") | 11174-01 |
| L-823 Complete Kit (8 AWG, .320"/.430") | 11805-01 |
| Heat Shrink Tubing Kit | A2-20-0089-001 |
| Flange Ring, 3/4" | AF540212Y |



L-852J TRANSFORMER REQUIREMENTS

| L-852J Type | Series Circuit | Fixture Load ¹ | Required Transformer | Part Number |
|------------------------------|----------------|---------------------------|----------------------|-------------|
| L-852J Uni | 6.6A, 60Hz | 7.1VA | L-830-16 (10/15W) | 11717 |
| No Arctic Kit | 6.6A, 50Hz | 7.1VA | L-831-16 (10/15W) | 11732 |
| L-852J Bi | 6.6A, 60Hz | 12.9VA | L-830-1 (30/45W) | 11680 |
| No Arctic Kit ² | 6.6A, 50Hz | 12.9VA | L-831-1 (30/45W) | 11710 |
| L-852J Uni | 6.6A, 60Hz | 7.1VA | L-830-1 (30/45W) | 11680 |
| With Arctic Kit | 6.6A, 50Hz | 7.1VA | L-831-1 (30/45W) | 11710 |
| L-852J Bi | 6.6A, 60Hz | 12.9VA | L-830-4 (65W) | 11683 |
| With Arctic Kit ² | 6.6A, 50Hz | 12.9VA | L-831-4 (65W) | 11683 |

¹ The fixture load varies depending on the color(s). Does not include isolation-transformer load.

² For a bidirectional dual-plug fixture use the transformer required for a unidirectional fixture shown above (with or without the Arctic Kit) for each plug.

L-852K TRANSFORMER REQUIREMENTS

| L-852K Type | Series Circuit | Fixture Load ¹ | Required Transformer | Part Number |
|------------------------------|----------------|---------------------------|----------------------|-------------|
| L-852K Uni | 6.6A, 60Hz | 8.7VA | L-830-16 (10/15W) | 11717 |
| No Arctic Kit | 6.6A, 50Hz | 8.7VA | L-831-16 (10/15W) | 11732 |
| L-852K Bi | 6.6A, 60Hz | 14.9VA | L-830-1 (30/45W) | 11680 |
| No Arctic Kit ² | 6.6A, 50Hz | 14.9VA | L-831-1 (30/45W) | 11710 |
| L-852K Uni | 6.6A, 60Hz | 8.7VA | L-830-1 (30/45W) | 11680 |
| With Arctic Kit | 6.6A, 50Hz | 8.7VA | L-831-1 (30/45W) | 11710 |
| L-852K Bi | 6.6A, 60Hz | 14.9VA | L-830-4 (65W) | 11683 |
| With Arctic Kit ² | 6.6A, 50Hz | 14.9VA | L-831-4 (65W) | 11683 |

¹ The fixture load varies depending on the color(s). Does not include isolation-transformer load.

² For a bidirectional dual-plug fixture use the transformer required for a unidirectional fixture shown above (with or without the Arctic Kit) for each plug.

RENEWAL PARTS

| Used On | Description | Part Number |
|---------|--|----------------|
| J, K | Air Schrader Valve, 1/8 (12) | A1-05-0553-001 |
| J, K | Cable Replacement Kit – Includes cable, tuff seal 2-hole, connectors | K1-02-0003-001 |
| J, K | Prism Replacement Kit, UniBi – Includes prism, prism seal, spacer, retention plate, and O-Ring | K1-02-0029-001 |
| J, K | Light Engine Replacement Kit, UniBi – Includes light engine assembly and O-Ring for each color | |
| | The kit part numbers are listed below: | |
| J | Yellow | K1-02-0019-006 |
| J | Green | K1-02-0019-007 |
| K | Yellow | K1-02-0019-008 |
| K | Green | K1-02-0019-009 |
| J, K | Heater Replacement Kit for Single Heater | K1-02-0016-001 |
| J, K | Heater Replacement Kit for Dual Heater | K1-02-0016-002 |
| J, K | Driver Board Replacement Kit, UniBi – Includes PWA Driver Board and O-Ring | K1-02-0028-002 |
| J, K | Grounding Lug Replacement Kit | K2-02-0005-001 |

WEIGHT AND DIMENSIONS

| | |
|----------------------|-----|
| Weight: | TBD |
| Dimensions: | |
| Height | TBD |
| Outer Diameter | TBD |
| Bolt-Circle Diameter | TBD |

EXPLODED VIEW

