

Taxiway Reflective Marker

Surface Mounted



COMPLIANCES

FAA AC 150/5345-39 L-853

ETL Certified



Intertek

PRODUCT APPLICATION

Taxiway Reflective Markers are used to mark the edges of taxiways and ramps at airports and heliports. They are particularly useful for taxiways with centerline lights that do not have edge lights.

FEATURES

- The 752.5 tubular surface mount airport marker is an ultra hi-impact channelizer.
- Less than 5% breakage after nine months exposure.
- The 752.5 has 360 degree visibility.
- In case of breakage, the post section is easily replaced without demounting anchor.
- The tubular post hinge and inner core have been strengthened to carry the additional weight and stress of the heavier post.
- The tubular post is a long-life, color-impregnated, UV stabilized, special polymer extrusion.

TECHNICAL SPECIFICATIONS

MTBF: Over 75 hits at 55 MPH

Height Above Grade: 19 - 36 inches

Anchor: Surface Mounted

Weight: From 2.25 to 2.5 lb.

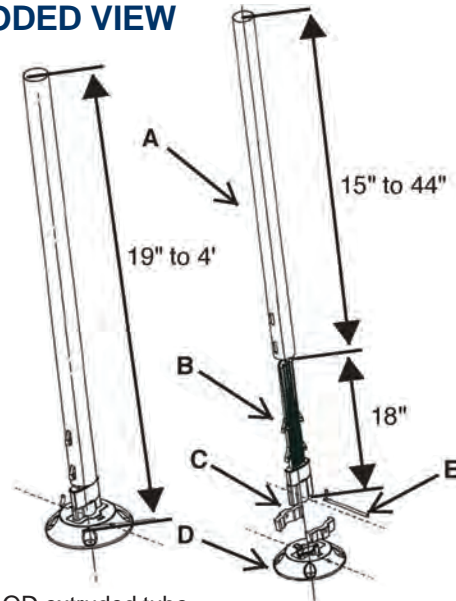
Colors: Red, White, Blue, Green, Yellow, Orange

Sheeting: Reflective.

6830 NW 16th Terrace • Ft. Lauderdale, FL 33309 USA
 Phone: 1.937.652.3500 • E-mail: AFLsales@HugheyAndPhillips.com
 www.HugheyAndPhillips.com

MARKERS - 6.1

EXPLODED VIEW



- A - 2 3/8" OD extruded tube
- B - 18" Nylon post with molded on flexible sleeve
- C - Set of grips
- D - Surface mount base
- E - Steel quick release pin

ORDERING INFORMATION

Order Number: A XXX(.X) - XX - SM - X - 14

Product # and Height:

- A751-19 = Reflective marker, 19"
- A752-24 = Reflective marker, 24"
- A752.5-30 = Reflective marker, 30"
- A753-36 = Reflective marker, 36"

Mounting Style:

SM = Surface mount with quick release pin

Reflective Color:

- B = Blue
- W = White
- Y = Yellow
- O = Orange
- R = Red
- G = Green

Reflective Material Height:

14 = 14" descending from the top of post

Note: Tube color is white.

*Manufactured by Flexstake, Inc.

