

# L-806

## Wind Cone



### COMPLIANCES

FAA AC 150/5345-27 (current edition)

ETL Certified



Intertek

### PRODUCT APPLICATION

The L-806 Wind Cone provides visual indication of wind direction and velocity at a location on an airfield. L-806 wind cones are used on smaller airfields, heliports and as supplemental wind indicators near runway touchdown areas on large airfields.

### FEATURES

- Available externally lighted, internally lighted, or unlighted.
- LED or halogen lamps.
- The LED models feature:
  - 50,000 to 100,000 hour lamp life, virtually maintenance free.
  - Multiple lamp circuits for improved reliability.
  - 80-90% less power consumption than halogen lamps.
  - A long-life LED obstruction light.
  - Integral power adapter on series-circuit models.
- Incandescent L-810 obstruction light included on halogen-lighted models.
- Size 1 (18" diameter x 8' long) wind sock.
- 1.9" diameter steel pole with frangible coupling at base.
- One piece welded aluminum basket with pre-installed bearings.
- Raincaps protect the bearings from weather.
- May be mounted directly to an L-867 light base, 2-inch NPT baseplate (sold separately).
- The nylon sock is treated for rot, mildew, and water repellency.
- Powder coat painted international orange.

### APPROACH LIGHTS & NAVIGATIONAL AIDS - 3.10



External LED Light



Internal Halogen Light



External Halogen Light



Internal LED Light

## ORDERING INFORMATION

Part Number*	See Note	FAA Size	FFA Style	Power Source	Lamp Type	Total VA	Weight (lb.)	Replacement Lamp
L-806-S1-UN-NON-ON-N	N/A	1	II Unlighted	none	none	0	45	none
L-806-S1-EX-120-ON-5	N/A	1	I-A External	120VAC	LED	15	58	9200-0032
L-806-S1-EX-66A-ON-5	4	1	I-A External	6.6AMP	LED	50	57	9200-0034
L-806-S1-IN-120-ON-5	N/A	1	I-B Internal	120VAC	LED	30	59	9200-0038
L-806-S1-EX-120-ON-N	N/A	1	I-A External	120VAC	Halogen	191	55	3400-0122
L-806-S1-IN-120-ON-N	2	1	I-B Internal	120VAC	Halogen	316	57	3400-0100Regent
L-806-S1-EX-12-ON-5	N/A	1	I-A External	12VDC	LED	8	57	9200-0033
L-806-S1-IN-66A-ON-5	3	1	I-B Internal	6.6AMP	LED	137	60	9200-0039

**Notes:**

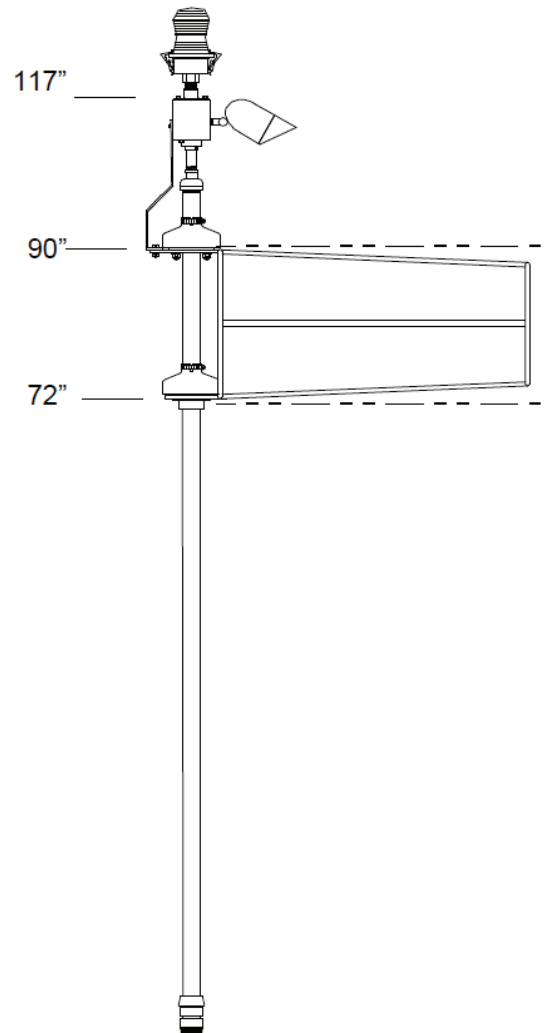
1. Power consumption specifications include the L-810 obstruction light
2. This FAA Style cannot be ETL certified
3. Requires 200W L-830 transformer, sold separately
4. Requires 100W L-830 transformer, sold separately

\*Manufactured by Hali-Brite Inc.

## RENEWAL PARTS

Description	Part Number
Wind Sock, 18 inches diameter, 8 foot long, orange	7400-0000-1
Frangible Coupling	1800-0025
Lamp, 120V Incandescent Obstruction Light	3400-116TS120

## EXPLODED VIEW



6830 NW 16th Terrace • Ft. Lauderdale, FL 33309 USA  
 Phone: 1.937.652.3500 • E-mail: AFLsales@HugheyAndPhillips.com • www.HugheyAndPhillips.com