

# L-802M

## Military Airport Rotating Beacon



### COMPLIANCES

FAA AC 150/5345-12  
(current edition)

ETL Certified



### PRODUCT APPLICATION

L-802M Rotating Beacons are designed for operation as identification and location markers for military airports.

### FEATURES

- Patented belt-drive system eliminates the lubrication maintenance required by conventional gear-drive beacons (U.S. Pat. 5,339,224).
- Patented liquid-filled lamp connector, eliminating the slip rings and brushes found on conventional beacons (U.S. Pat. 5,816,678).
- Two 33,000 lumen, 320W pulse-start metal-halide lamps.
- Pulse-start lamps are fully bright in 3-5 minutes.
- 20,000+ hour typical lamp life (4-5 years).
- One white dual beam lens, one aviation green lens.
- No maintenance except lamp replacement.
- All moving parts are permanently lubricated.
- Thermally-protected motor eliminates burnouts.
- Lamps preset 5° above horizontal, adjustable 2-10°.
- 6 RPM rotation, 18 flashes/minute.
- Weatherproof steel cabinet, powder-coated international orange.
- Class I temperature range: -30 to +55 °C (-22 to +131 °F).
- Class II temperature range: -55 to +55 °C (-67 to +131 °F).
- Certified to wind velocities of 100 MPH.
- Can operate with photocell and/or tell-tale relay.
- Mountable on a Tipdown Pole.
- Power Consumption: 793W Class I, 1193W Class II.

### APPROACH LIGHTS & NAVIGATIONAL AIDS - 3.9

### ORDERING INFORMATION

Description*	Part Number
120VAC, 60Hz, Class 1	L802M6116
220-240VAC, 60Hz, Class 1	L802M6126
120VAC, 60Hz, Class 2	L802M6216
220-240VAC, 60Hz, Class 2	L802M6226

\*Manufactured by Hali-Brite Inc.

NOTE: 220-240VAC must be single wire with neutral

### ACCESSORIES

Description	Part Number
Tell-tale Relay, 120VAC	L801/802 T/T HBM 120
Tell-tale Relay, 220-240VAC	L801/802 T/T HBM 240
Tower Mounting Kit	4200-0000



Beacon Tipdown Pole

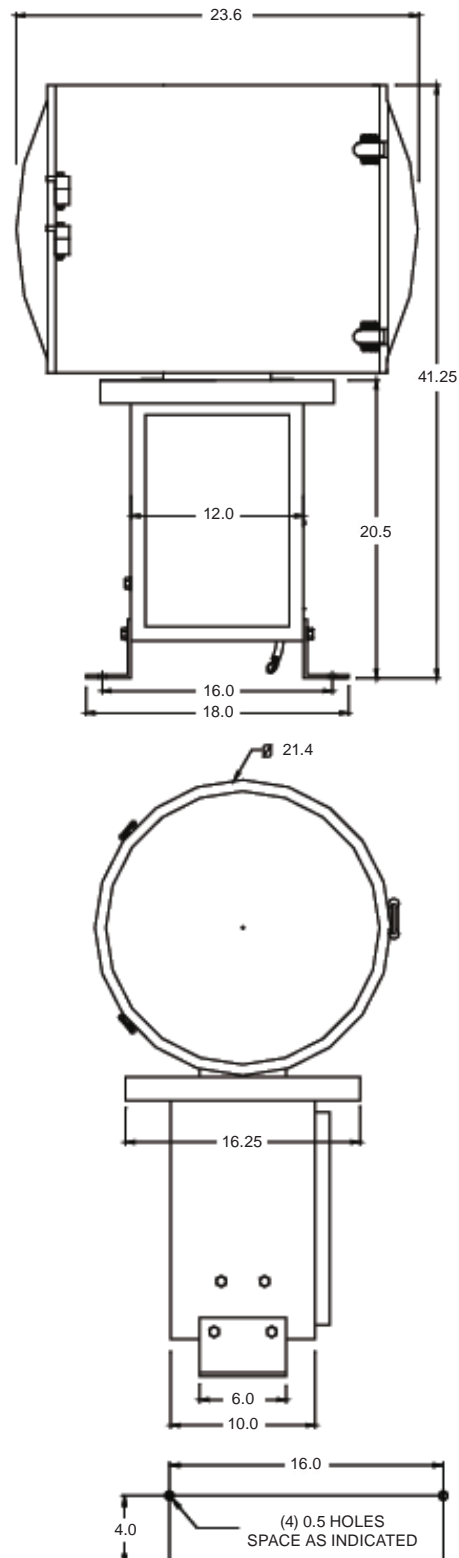
## RENEWAL PARTS

Description	Part Number
Ballast Assembly, 60Hz	0200-0027
Belt	0600-0004
Lamp fuse, 10AMP	2300-0003
Motor fuse, 1/2AMP	2300-0002
Lamp, 320W pulse-start	3400-0136
Lens, aviation white	2800-0056
Lens, aviation green	2800-0057
Lens clip	0100-3825

## SHIPPING INFORMATION

Description	Weight	Volume
Unpackaged	155 lb.	N/A
USA Package	220 lb.	48" x 42" x 32"
International Package	220 lb.	48" x 40" x 32"

## EXPLODED VIEW



6830 NW 16th Terrace • Ft. Lauderdale, FL 33309 USA  
Phone: 1.937.652.3500 • E-mail: AFLsales@HugheyAndPhillips.com • www.HugheyAndPhillips.com