

L-801H & L-802H

Heliport Rotating Beacon



COMPLIANCES

FAA AC 150/5345-12
(current edition)

ETL Certified

ICAO: Annex
14, para 5.3.3



PRODUCT APPLICATION

L-801H and L-802H Rotating Beacons are designed primarily for night operation as identification and location markers for heliports.

FEATURES

- Patented belt-drive system eliminates the lubrication maintenance required by conventional gear-drive beacons (U.S. Pat. 5,339,224).
- Patented liquid-filled lamp connector, eliminating the slip rings and brushes found on conventional beacons (U.S. Pat. 5,816,678).
- Three 13,000 lumen, 150W metal-halide lamps.
- 12,000 hour typical lamp life (3 years).
- One clear lens, one aviation green lens, and one yellow lens.
- Available in Hospital Heliport version (not FAA certifiable).
- No maintenance except lamp replacement.
- All moving parts are permanently lubricated.
- Impedance-protected motor eliminates burnouts.
- Lamps preset 5 ° above horizontal, adjustable.
- 12RPM rotation, 36 flashes/minute.
- Weatherproof steel cabinet, powder-coated international orange.
- Class I temperature range: -30 to +55 °C (-22 to +131 °F).
- Class II temperature range: -55 to +55 °C (-67 to +131 °F).
- Tested to wind velocities of 100 MPH.
- Optional photocell and/or tell-tale relay.
- Mountable on a Tipdown Pole.
- Military version available.
- Power Consumption: 595W Class I, 995W Class II.

APPROACH LIGHTS & NAVIGATIONAL AIDS - 3.7

ORDERING INFORMATION

Description*	Part Number
120VAC, 60Hz, Class I	L801H7116
120VAC, 60Hz, Class I, Hospital Heliport	L801H7116H
220-240VAC, 50Hz, Class I	L801H7125
220-240VAC, 50Hz, Class I, Hospital Heliport	L801H7125H
220-240VAC, 60Hz, Class I	L801H7126
20-240VAC, 60Hz, Class I, Hospital Heliport	L801H7126H
120VAC, 60Hz, Class II	L801H7216
120VAC, 60Hz, Class II, Hospital Heliport	L801H7216H
220-240VAC, 50Hz, Class II	L801H7225
220-240VAC, 50Hz, Class II, Hospital Heliport	L801H7225H
220-240VAC, 60Hz, Class II	L801H7226
220-240VAC, 60Hz, Class II, Hospital Heliport	L801H7226H

*Manufactured by Hali-Brite Inc.

NOTE: 220-240VAC must
be single wire with neutral



Beacon Tipdown Pole

ACCESSORIES

Description	Part Number
Tell-tale Relay, 120VAC	L801/802 T/T HBM 120
Tell-tale Relay, 220-240VAC	L801/802 T/T HBM 240
Tower Mounting Kit	4200-0000

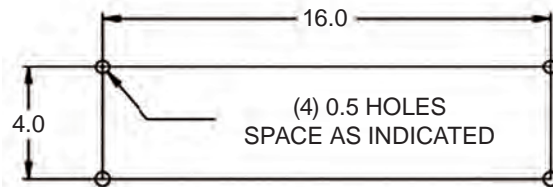
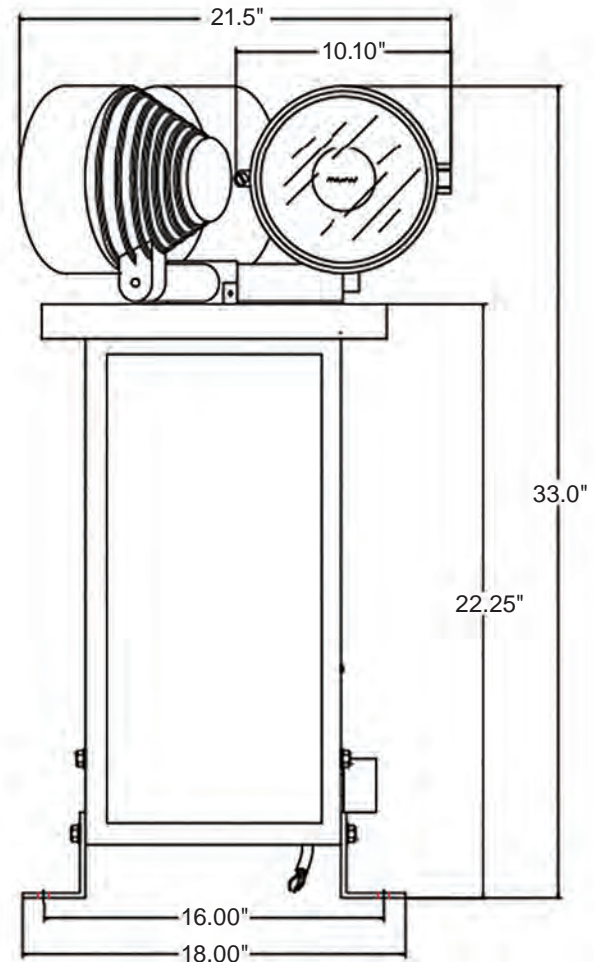
RENEWAL PARTS

Description	Part Number
Ballast, 120/240VAC, 60Hz	0200-0007
Belt	0600-0003
Motor Fuse, 1/2AMP	2300-0002
Lamp Fuse, 8AMP	2300-0012
Lamp, 150W	3400-0125B
Lens, Clear	2800-0006
Lens, Green	2800-0043
Lens, Amber	2800-0025
Lens, Red	2800-0010
Lens, Clip	1500-0011

SHIPPING INFORMATION

Description	Weight	Volume
Unpackaged	96 lb.	N/A
Package	124 lb.	48" x 28" x 25"

EXPLODED VIEW



MOUNTING BOLT PATTERN