

L-801

Airport Rotating Beacon



COMPLIANCES

FAA AC 150/5345-12
(current edition)

ICAO: Annex 14, para 5.3.3

ETL Certified



PRODUCT APPLICATION

L-801 Rotating Beacons are designed primarily for night operation as identification and location markers for airports.

FEATURES

- Patented belt-drive system eliminates the lubrication required by conventional gear-drive beacons (U.S. Pat. 5,339,224).
- Patented liquid-filled lamp connector, eliminating the slip rings and brushes found on conventional beacons (U.S. Pat. 5,816,678).
- Two 13,000 lumen, 150W pulse-start metal-halide lamps.
- 10,000 hour typical lamp life (2-3 years).
- One clear lens, one aviation green lens.
- No maintenance except lamp replacement.
- All moving parts are permanently lubricated.
- Impedance-protected motor eliminates burnouts.
- Lamps preset 5° above horizontal, adjustable.
- 12RPM rotation, 24 flashes/minute.
- Weatherproof steel cabinet, powder-coated international orange.
- Class I temperature range: -30 to +55 °C (-22 to +131 °F).
- Class II temperature range: -55 to +55 °C (-67 to +131 °F).
- Tested to wind velocities of 100 MPH.
- Optional photocell and/or tell-tale relay.
- Mountable on a Tipdown Pole.
- Power Consumption: 395W Class I, 795W Class II.

APPROACH LIGHTS & NAVIGATIONAL AIDS - 3.6

ORDERING INFORMATION

Description*	Part Number
120VAC, 60Hz, Class I	L801A1116
220-240VAC, 50Hz, Class I	L801A1125
220-240VAC, 60Hz, Class I	L801A1126
120VAC, 60Hz, Class II	L801A1216
220-240VAC, 50Hz, Class II	L801A1225
220-240VAC, 60Hz, Class II	L801A1226

*Manufactured by Hali-Brite Inc.

NOTE: 220-240VAC must be single wire with neutral

ACCESSORIES

Description	Part Number
Tell-tale Relay, 120VAC	L801/802 T/T HBM 120
Tell-tale Relay, 220-240VAC	L801/802 T/T HBM 240
Tower Mounting Kit	4200-0000



Beacon Tipdown Pole

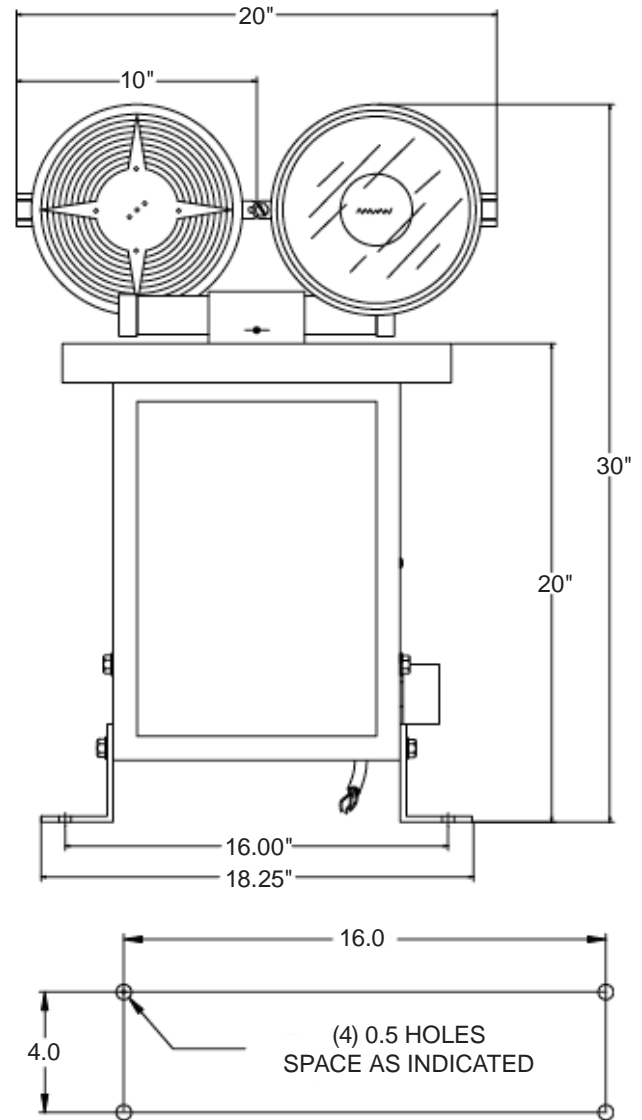
RENEWAL PARTS

Description	Part Number
Ballast Assy 50Hz	0200-0024
Ballast Assy 60Hz	0200-0023
Belt	0600-0003
Motor Fuse, 1/2AMP	2300-0002
Lamp Fuse, 6.25AMP	2300-0010
Lamp, 150W pulse-start	3400-0125
Lens, Clear	2800-0006
Lens, Green	2800-0043
Lens, Amber	2800-0025
Lens, Clip	1500-0011

SHIPPING INFORMATION

Description	Weight	Volume
Unpackaged	75 lb.	N/A
USA Package	107 lb.	48" x 42" x 25"
International Package	107 lb.	40" x 22" x 25"

EXPLODED VIEW



MOUNTING BOLT PATTERN