

# Beacon Tower



## COMPLIANCES

FAA AC 150/5340-21

## PRODUCT APPLICATION

The Beacon Tower is designed for tubular steel beacon towers. It is manufactured using 16 sided, vertically welded, formed steel shaft sections, made of high strength, low alloy steel.

## FEATURES

- Round beacon service basket.
- Galvanized service steps, 6" long and 12" apart on alternating sides, starting at ground level. (Double steps at heights of 5', 2' and 1' from pole top to assist entry into service basket).
- Pole climber (cable assembly using 3/8" stainless steel cable).
- Reinforced handholes at base and intermediate locations.
- Anchor base with six 1 1/2" anchor bolts.
- Internal wire guide nipple with insulating bushings.
- Custom heights available.
- Standard heights available are 51', 62', 75', 91', 108', 129' and 152'.

## APPROACH LIGHTS & NAVIGATIONAL AIDS - 3.15

### ORDERING INFORMATION

High strength steel "16-sided", 51-foot mounting height, aircraft beacon pole. Includes anchor bolts with double anchor bolts, nuts and mechanical cage, anchor base, round tubular service platform, mounting plate for beacon, reinforced hand poles, brackets to mount cable supports, grounding lug, step bolts, service cable, and one full body service harness – follower – lanyard assembly.

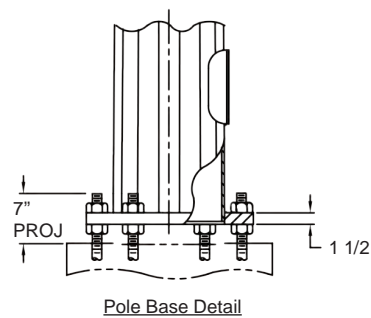
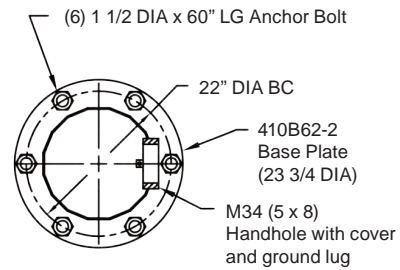
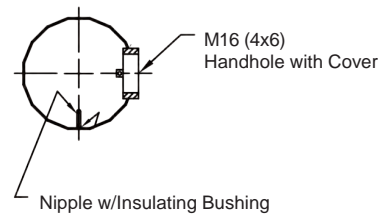
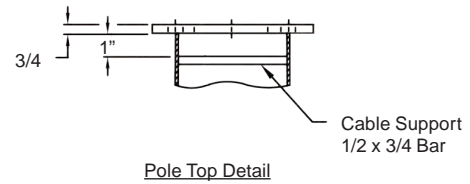
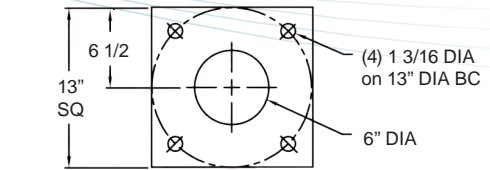
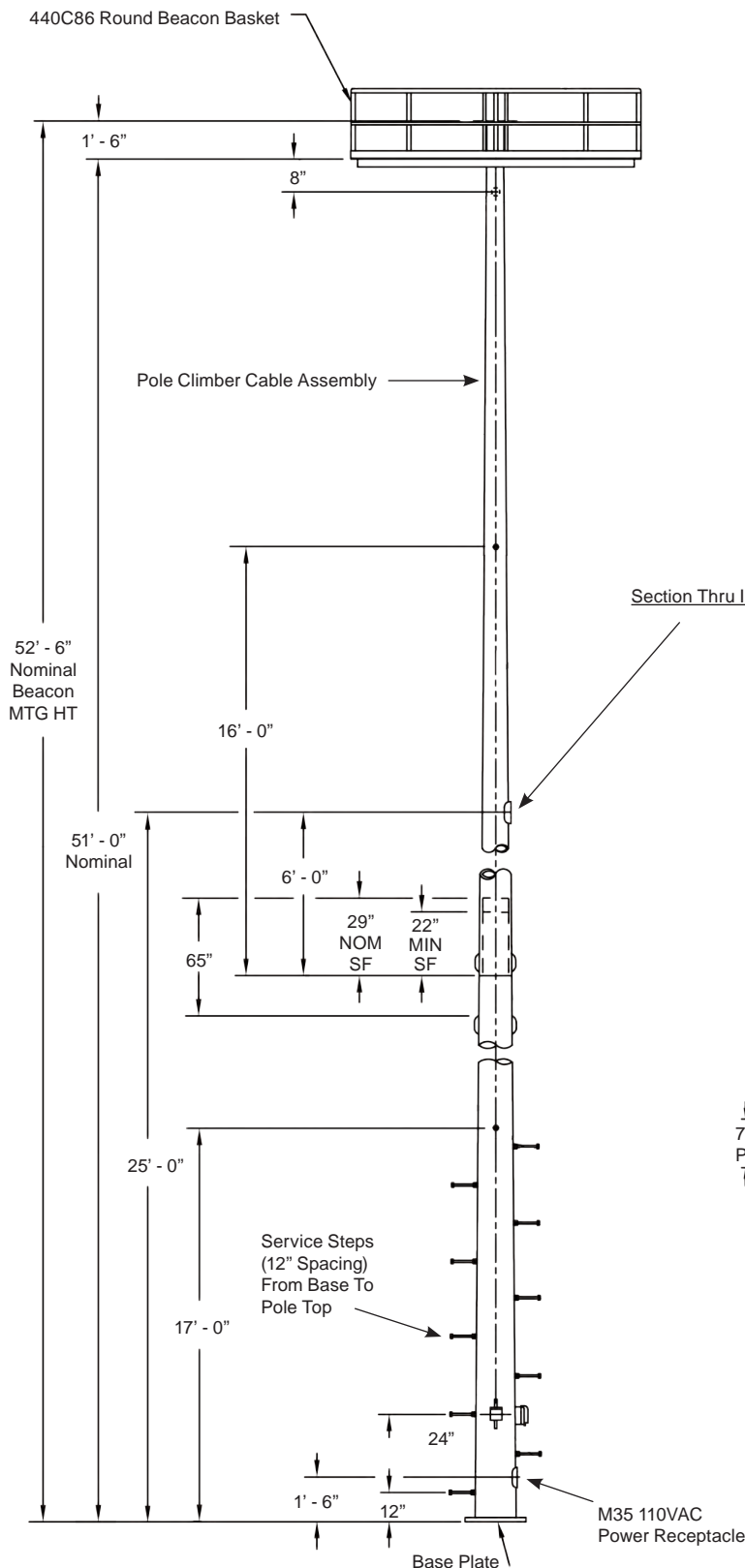
Description*	Part Number
51' Beacon, galvanized, painted orange and white	16-51FPRBB/86-GV/ORG/WHT
Optional copper clad lightning rod, 6' (set of 3 rods)	500A491-6

*Weight, including beacon pole, beacon round basket, and anchor bolts: 2,745 lb*

*\*Manufactured by Millerbernd Manufacturing Company*

**EXPLODED VIEW**

NOTE: Measurements typical for 50" Beacon Pole



Notes:

1. Finish - Factory paint, prime coat or galvanized
2. No welding allowed on the Anchor bolts
3. Do not grout between base plate and foundation
4. Design Criteria:
  - a) 80 MPH wind with 1/3 gust
  - b) Maximum Beacon and basket EPA 29 FT SQ.
  - c) Overturn Moment = 81988 FT LB.
  - d) Transverse Shear = 2,553 LB.

6830 NW 16th Terrace • Ft. Lauderdale, FL 33309 USA  
 Phone: 1.937.652.3500 • E-mail: AFLsales@HugheyAndPhillips.com • www.HugheyAndPhillips.com

Actual product specifications may have changed since the printing of this brochure.  
 Brochure specifications are not binding. Confirm current specifications at time of order.