

Airfield Mat Systems



TOOLS & ACCESSORIES - 8.2

PRODUCT APPLICATION

The Airfield Mat System is used to protect runway and taxiway lights and can be used to:

- Keep mowing equipment further from the light to help prevent accidental breakage.
- Alleviate the need to use manual line trimming to keep the grass managed around the lights.
- Prevent the need to spray poison (i.e., "Agent Orange") around the lights that kills the grass and then leads to erosion.

FEATURES

- Saves Labor Costs. Countless man-hours are accrued during the tedious task of line-trimming airfield lights to ensure visibility. Mowing equipment can overlap the mat, eliminating the need for grass trimming, thus saving time, money, and labor.
- Prevents Health and Safety Hazards. The light saver system eliminates the need to spread toxic chemicals, reducing the time a ground crew will need to be performing hazardous tasks in potentially dangerous locations.
- Prevents Costly Equipment Breakage. During routine grounds maintenance using large and imprecise mowing equipment, crews often report broken lights and posts. Using the Airfield Mat allows the mower to cruise past each light with a wider contingency space.
- Environmentally Friendly. Some airports use weed and grass-killers to control growth around airfield lights. The Airfield Mat eliminates the use of such chemicals, protecting ground water and wildlife and eliminating airfield crew exposure.
- Quick and Easy Installation. Airfield Mats are secured to the earth with Airfield Mat Systems recessed Ground Anchoring System. The anchors can be quickly and easily installed by one person. These durable anchors will hold the mat securely even in the most adverse weather conditions, and prevent displacement from prop-wash or jet-blast.
- Long Lasting Zero Profile. The low profile anchors are made of steel while the Airfield Mats are made from durable synthetic rubber compounds. Both materials have proven resistance to nature's elements. The Airfield Mat System can be installed and forgotten, while the benefits continue year after year.

ORDERING INFORMATION

Description	Part Number
48"x84" Football Mat. For base can mounted lights, 12" center hole to fit precisely around 12" base can lid. Includes 8 anchors.	FM-1-8
48"x84" Football Mat with 18" insert. Dual application. For base can mounted lights, 12" center hole to fit precisely around 12" base can lid. Covering the can lid with insert is optional. For stake mounted lights, insert wraps around stake required. Includes 8 anchors.	FM-1-8wi-18
48"x84" Football Mat with 12" insert. For stake mounted lights, insert wraps around stake required. Includes 8 anchors.	FM-1-8wi
25"x30' Strip Matting. For edge applications such as: around directional signs, along buildings, or along fences. Mat is cut and anchor holes cut by installer in the field. Includes 10 anchors.	SM-1
25"x60' Strip Matting. For edge applications such as: around directional signs, along buildings, or along fences. Mat is cut and anchor holes cut by installer in the field. Includes 20 anchors.	SM-2

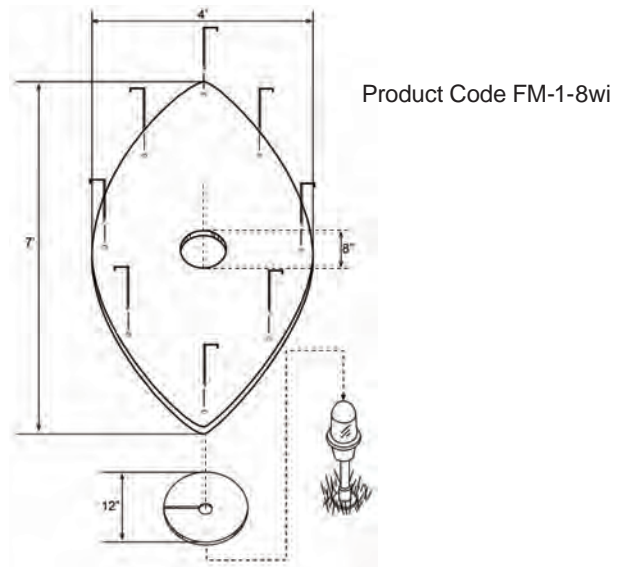
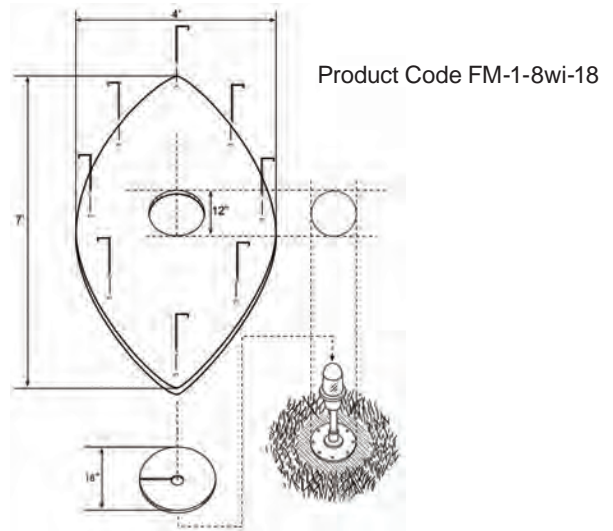
Manufactured by Airfield Mat Systems, Inc.

RENEWAL PARTS

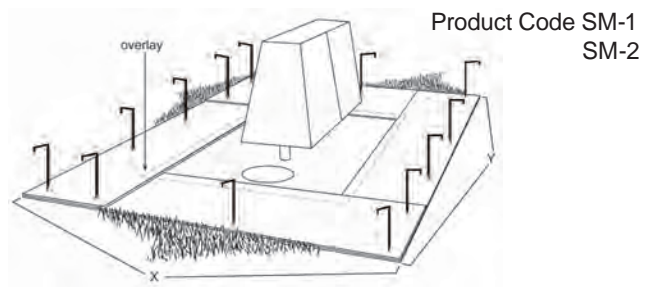
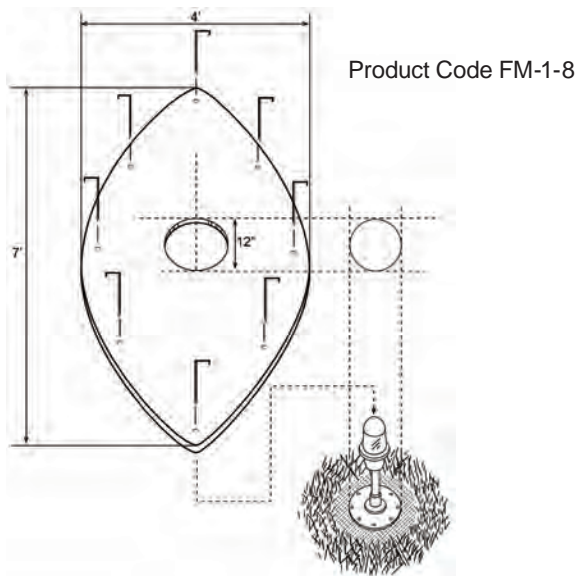
Description	Part Number
12" Insert	IN-12
18" Insert	IN-18
Anchors (quantity 10)	A-10

MATERIAL SPECIFICATIONS

- Mat is made of no less than 7% polyurethane binders and not more than 93% rubber grindings.
- 11.5" long staple stake steel anchor:
 - Each anchor is designed to anchor the mat flush to the ground with an 11.5" shaft, a 4" horizontal bar, and a 2" down pin.
 - Each anchor penetrates the mat with the long shaft and the 2" pin penetrates directly into the ground where it reaches over the edge of the mat.
- Weight of the rubber mat is ~40 lb (including anchors).
- Weight of an anchor is ~1.5 lb (~13 lb for all 8).



INSTALLATION DIAGRAMS



6830 NW 16th Terrace • Ft. Lauderdale, FL 33309 USA
Phone: 1.937.652.3500 • AFLsales@HugheyAndPhillips.com • www.HugheyAndPhillips.com

Actual product specifications may have changed since the printing of this brochure.
Brochure specifications are not binding. Confirm current specifications at time of order.