

# 860 Series

## LED Visual Signal Light



### COMPLIANCES

UL 1598 (pending)

ETL Certified



### PRODUCT APPLICATION

The 860 Series multi-purpose LED light fulfills the need for a rugged, weatherproof fixture in color alternatives to the standard red obstruction lights. Available in green, yellow, blue and white.

### OPERATING CONDITIONS

Temperatures ranging from -67°F to +131°F (-55°C to +55°C). It will withstand wind in excess of 150 MPH (240 km/h), salt fog.

### MATERIALS / FINISH

- Cast Aluminum housing
- Stainless steel hardware

### AVIATION/OBSTRUCTION LIGHTS - 9.1

### FEATURES

- Available as a single or dual unit.
- Available in 120VAC, 240VAC, 12, 24 or 48VDC.
- Unique optically designed lens to enhance LED operation and provide 360° visibility.
- State-of-the-art high flux LED technology.
- Uses 90% less energy than an incandescent.
- Lasts years longer than an incandescent.
- Weather/corrosion resistant lamp assembly and housing.
- Self-contained wiring compartment eliminates additional boxes.
- Can be operated steady or flashed.
- Resistant to shock and vibration.
- Threaded 1" and ¾" bottom hub for mounting.
- IP65 / IP66 / NEMA 4X rated.

### ORDERING INFORMATION

#### Single Units

| Part Number        | Color          |
|--------------------|----------------|
| 12004-860-1R0X-001 | Red            |
| 12004-860-1G0X-001 | Green          |
| 12004-860-1Y0X-001 | Yellow (Amber) |
| 12004-860-1B0X-001 | Blue           |
| 12004-860-1W0X-001 | White          |

Note: X indicates voltage input (See Voltage Chart)

#### Dual Units

| Part Number        | Color          |
|--------------------|----------------|
| 12004-860-1R0X-002 | Red            |
| 12004-860-1G0X-002 | Green          |
| 12004-860-1Y0X-002 | Yellow (Amber) |
| 12004-860-1B0X-002 | Blue           |
| 12004-860-1W0X-002 | White          |

Note: X indicates voltage input (See Voltage Chart)

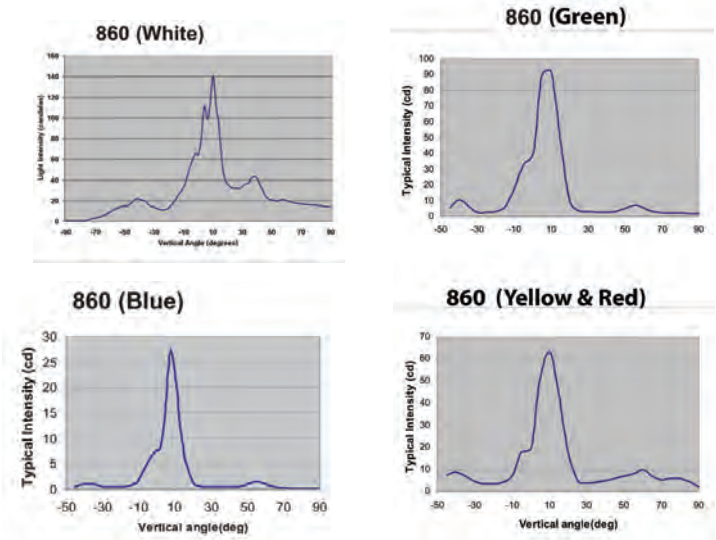
## ORDERING INFORMATION, continued

### Replacement Light Assemblies

| Part Number    | Color                  |
|----------------|------------------------|
| 12004-860-1R0X | Single, Red            |
| 12004-860-1G0X | Single, Green          |
| 12004-860-1Y0X | Single, Yellow (Amber) |
| 12004-860-1B0X | Single, Blue           |
| 12004-860-1W0X | Single, White          |

Note: X indicates voltage input (See Voltage Chart)  
Manufactured by Unimar Lighting & Control Solutions

## PHOTOMETRIC DATA



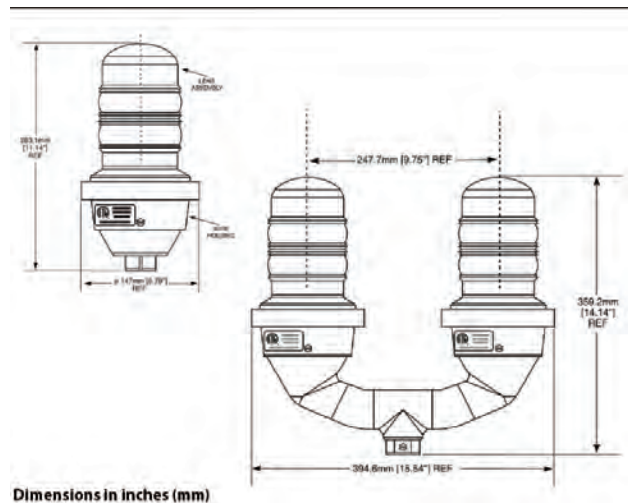
## INPUT VOLTAGE CHART

|       |        |
|-------|--------|
| X = 1 | 120VAC |
| X = 2 | 230VAC |
| X = 3 | 12VDC  |
| X = 4 | 48VDC  |
| X = 5 | 24VDC  |

## WEIGHTS & MEASUREMENTS

| Model       | Shipping Weight | Container Dimensions |
|-------------|-----------------|----------------------|
| Single Unit | 7.14 lb         | 16" x 9" x 8"        |
| Dual Unit   | 16.06 lb        | 22" x 17" x 9"       |

## MECHANICAL DIMENSIONS



## ELECTRICAL SPECIFICATIONS

|                       | PF  | VA   | Operating Voltage |      |     | Watts (W) |      |      |             |
|-----------------------|-----|------|-------------------|------|-----|-----------|------|------|-------------|
|                       |     |      | Min               | Type | Max | Min       | Type | Max  | Typical AMP |
| 120VAC Units (White)  | .36 | 44   | 92                | 120  | 132 | 12.5      | 16   | 18   | 360 mA      |
| 120VAC Units (Green)  | .36 | 44   | 92                | 120  | 132 | 12.5      | 16   | 18   | 360 mA      |
| 120VAC Units (Blue)   | .36 | 44   | 92                | 120  | 132 | 12.5      | 16   | 18   | 360 mA      |
| 120VAC Units (Yellow) | .36 | 46.5 | 92                | 120  | 132 | 11        | 14.5 | 16.5 | 400 mA      |

6830 NW 16th Terrace • Ft. Lauderdale, FL 33309 USA  
Phone: 1.937.652.3500 • E-mail: AFLsales@HugheyAndPhillips.com • www.HugheyAndPhillips.com