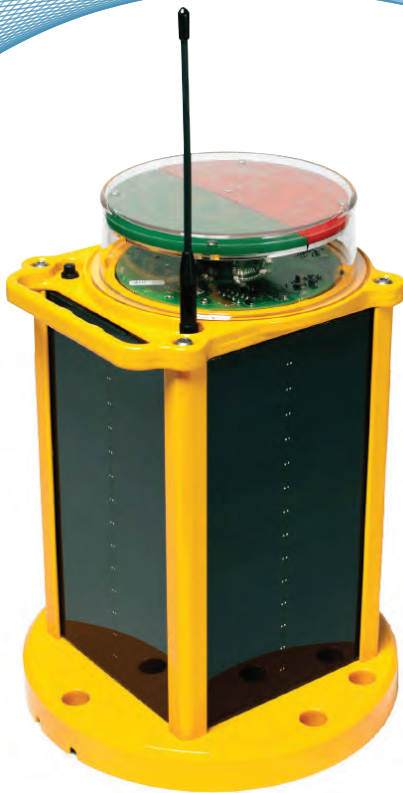


Solar LED Airfield Light

A704

SOLAR LIGHTS - 7.2



FEATURES

- **Advanced Design:**

- Improved optical efficiency with latest LEDs
- Up to 25% more power with high-efficiency solar panels
- Reduced standby power consumption
- Multiple solar engine sizes for best value-for-performance

- **Easy Installation:** Limited crew, no trenching, no airfield interruptions. Just place the A704 and it emits light dusk-to-dawn while maintaining its battery. Optional wireless control provides on-demand operation from up to 4 km (2.5 m) away.

- **Low Maintenance:** The A704 integrates solar panels, battery, electronics, and LED light source into a compact, stand-alone unit requiring minimal maintenance. The replaceable battery extends service life well beyond 5 years.

- **Reliable:** The Energy Management System (EMS) monitors all operations to provide consistent output in the harshest environments. Testing to ICAO, FAA and MIL specifications ensures high performance for many years.

- **Trusted:** With thousands of installations worldwide, solar LED lights operate year-round at permanent airfields and temporary military installations.

COMPLIANCES

- ICAO and FAA compliant
- Omni and bi-directional options
- Third party tested
- Proven technology platform
- Available in three solar engine sizes.

PRODUCT APPLICATION

Medium-intensity runway edge & threshold (MIRL)

High-intensity runway edge & threshold (HIRL)

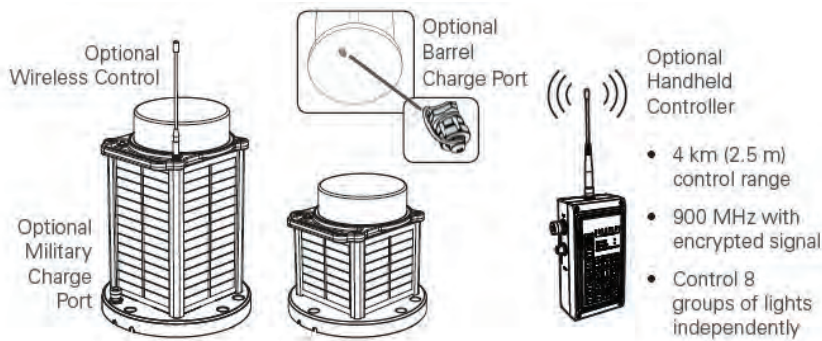
Taxiway Lighting

NVG operations

Emergency airfields

Helipads

OPTIONS

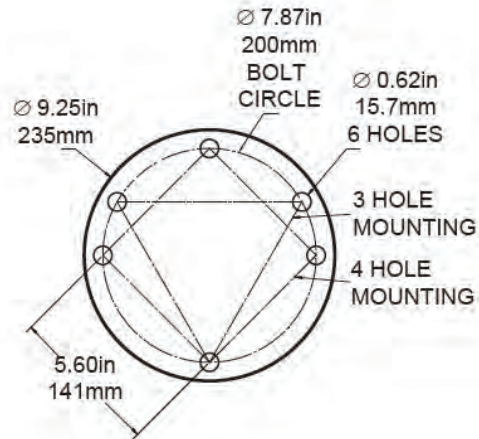
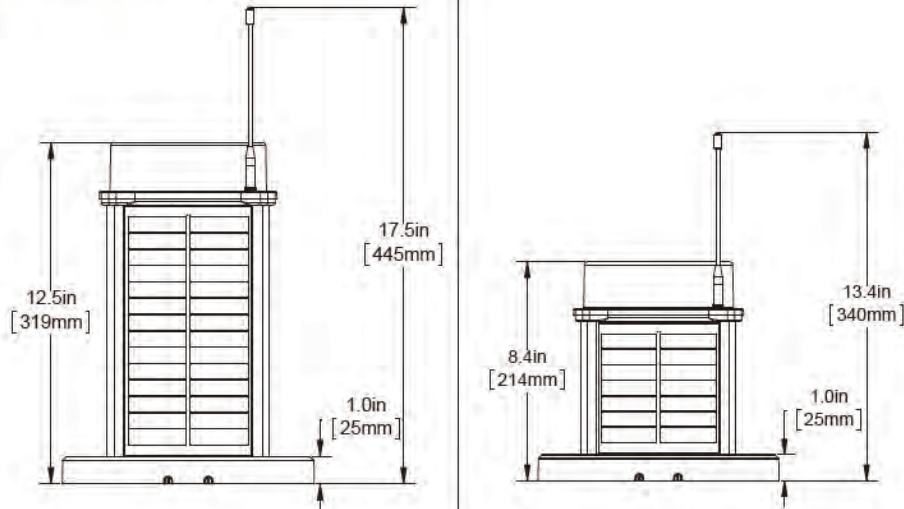


SPECIFICATIONS

Optical	<ul style="list-style-type: none"> • High-power LEDs meet IES LM-80 lumen maintenance, ensuring consistent photometrics for life of product • ICAO, SAE25050 (FAA), and FAA EB 67 compliant chromaticity • NVG-compatible infrared (IR) LEDs • Steady-on and flash
Energy Collection	<ul style="list-style-type: none"> • High-efficiency cells with blocking diodes • Maximum power point tracking with temperature compensation (MPPT-TC) for optimal energy collection in all solar conditions
Energy Storage	<ul style="list-style-type: none"> • Pure-lead VRLA AGM battery with manufacturer operating range -65 to 80 °C (-85 to 176 °F) • On-board battery status • Designed for 5+ year battery life; Replaceable and recyclable • Optional port for battery charging and cabled operation
Energy Management System (EMS)	<ul style="list-style-type: none"> • Intelligent, microprocessor EMS • On-board diagnostics and data logger • Push button interface for local control • Autonomous, Temporary, and Emergency Modes
Automatic Light Control (ALC)	ALC adjusts output intensity in response to unusually low amounts of sunlight to ensure continued operation
Construction	<ul style="list-style-type: none"> • Premium, UV-resistant polycarbonate lens • Powder-coated aluminum and polycarbonate chassis with integrated handle • Waterproof, vented battery compartment
Temperature	<ul style="list-style-type: none"> • -30 to 50 °C (-22 to 122 °F) Optimal • -40 to 80 °C (-40 to 176 °F) Maximum
Wind & Ice Loading	644 km/h (400 MPH) wind; 0.03 psi (22 kg/m ²) ice
Shock & Vibration	MIL-STD-202G and MIL-STD-810G
Ingress	<ul style="list-style-type: none"> • EN 60529 IP 67 immersion • MIL-STD-202G immersion & damp heat cycling • MIL-STD-810G rain & salt fog
Compliance	CE compliant (non-wireless model only)

DIMENSIONS AND WEIGHTS

STANDARD		COMPACT	
Weight	6.7 kg (15 lb)	Weight	4.9 kg (11 lb)
Battery (96E)	4.2V, 24 Ahr	Battery (60X)	4.2V, 15 Ahr
LARGE			
Weight	10.5 kg (23 lb)		
Battery (200BC)	4.2V, 50 Ahr		



CONFIGURATION

MODEL	OUTPUT	SOLAR ENGINE	CHASSIS	CONTROL	CHARGE PORT
A650	WHITE / IR WHITE / YELLOW / IR RED / GREEN / IR BLUE / IR GREEN / IR YELLOW / IR RED / IR	COMPACT STANDARD LARGE	YELLOW OLIVE DRAB	NON-WIRELESS WIRELESS	NONE CHARGE PORT MILITARY CHARGE PORT

THIRD PARTY VALIDATION: PHOTOMETRIC COMPLIANCE

Refer to table below for additional details

¹ ICAO MIRL (Annex 14, Vol.1, 5.3.9.9)
FAA L-861 MIRL (AC 150/5345-46, EB67)
FAA L-862 HIRL (AC 150/5345-46, EB67), step 3 of 5
Transport Canada MIRL (TP-312, 5.3.10.13)

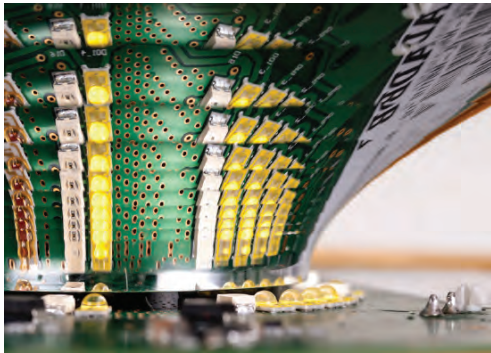
³ ICAO Type A (Annex 14, Vol. 1, 6-3)
ICAO Type B (Annex 14, Vol. 1, 6-3)
FAA L-810 (AC 150/5345-43, EB67)

² FAA L-861E & L-861SE MIRL (AC 150/5345-46, EB67)
FAA L-862E HIRL (AC 150/5345-46, EB67), step 3 of 5

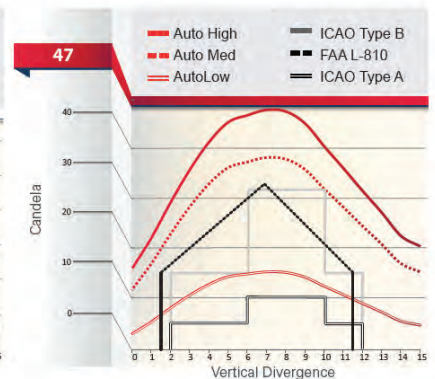
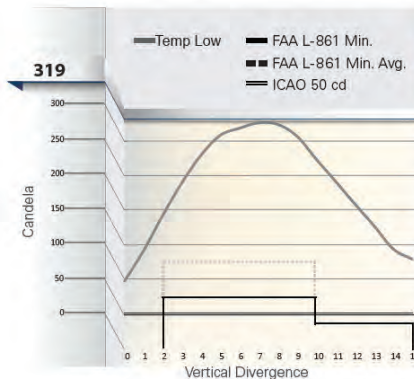
⁴ FAA L-810 vertical divergence; 850
- 890 nm peak

PEAK INTENSITY

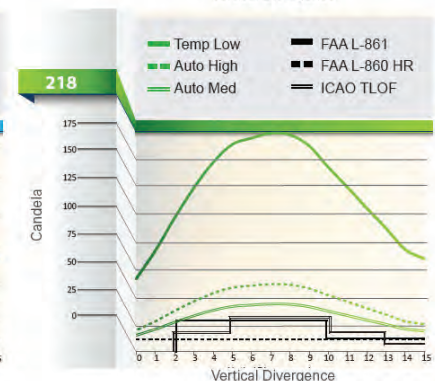
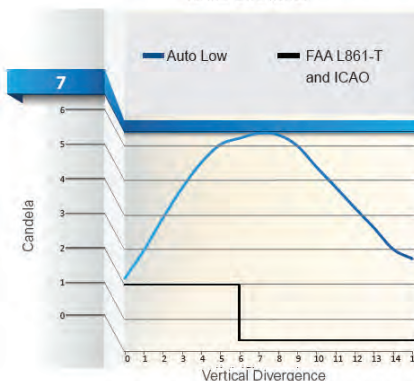
	Auto Low (cd)		Auto Medium (cd)		Auto High (cd)		Temp Low (cd)		Temp Medium (cd)		Temp High (cd)	
Runway Edge, Approach, Helipad, FATO ¹	STEP 1 MIRL 19		STEP 1 MIRL+ 46		STEP 2 MIRL 76		STEP 3 MIRL 319		STEP 2 HIRL 446 446		STEP 3 HIRL 578 578	
Runway Edge Caution	19	17	46	42	76	68	175	158	181	163	578	520
Runway Edge Threshold ²	33	14	82	14	130	14	304	18	371	142	567	142
Taxiway and Apron Edge	ICAO/FAA 7		L-860E/HR, TLOF 12		L-861 FATO 18		ICAO/FAA + 62		78		107	
Helipad TLOF & FATO	26		44		66		218		258		323	
Helipad TLOF & FATO	22		36		56		190		235		315	
Obstruction ³	ICAO TYPE A 15		FAA L-810 37		ICAO TYPE B 47		ICAO TYPE A 15		FAA L-810 37		ICAO TYPE B 47	
NVG Operations (mW/sr) ⁴	16		34		80		16		34		80	



A704 Lens Design



A704 Standard/Large & Compact Models



Specifications subject to local environmental conditions.

Actual product specifications may have changed since the printing of this brochure.
Brochure specifications are not binding. Confirm current specifications at time of order.

ACCESSORIES

The A704 Series Airfield Lights come with a range of accessories including durable mounting hardware, frangible couplings and a selection of replacement parts.

MOUNTING HARDWARE

REF.	PART NO.	DESCRIPTION
1	64559	16 x 16" rubber mat and hardware
2A	71757	Standard bolt kit, 700 series (4x stainless steel bolts)
2B	71884	Security bolt kit, 700 series (2x bolts, not including keys)
-	53288	Security bolt kit, bolt key/driver bit
-	53289	Security bolt kit, nut key/driver bit
3A	65714	Standard mounting plate (18" installed height)
3B	65717	Extended mounting plate (26" installed height)
-	74239	Helipad mounting bracket
4	65711	Frangible coupling, 1.5" pipe x 2 thread
5	50144	Floor flange, 2" thread
6	46397	Anchor bolt kit
7A	38925	2" hub stake - 15" long
7B	38964	2" hub stake - 30" long
-	Inquire	Grass guard kit

BATTERY/CHARGER

REF.	PART NO.	DESCRIPTION
-	72890	Battery kit, A704 Compact
-	72891	Battery kit, A704 Standard
-	72892	Battery kit, A704 Large
-	74314	Battery charger, A704 with military charge port, 100-240 VAC, 50/60 Hz
-	69885	Battery charger, A704 battery pack and barrel charge port, 100-240 VAC, 50/60 Hz

OPTICS

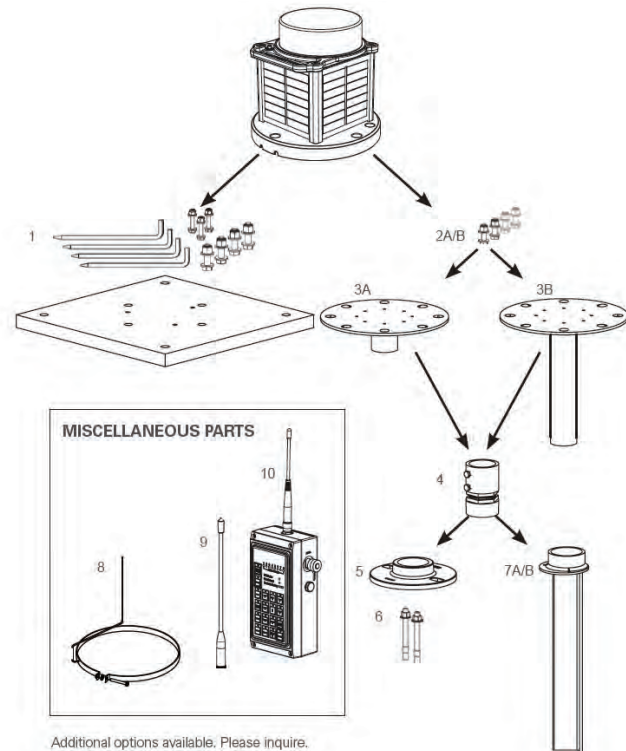
REF.	PART NO.	DESCRIPTION
-	74690	Optical shield, 180 degree, several models
-	Inquire	Head kit, several models

MISCELLANEOUS PARTS

REF.	PART NO.	DESCRIPTION
8	40865	A704 series bird deterrent
9	56150	Replacement antenna
10	48473	Handheld Controller
-	48984	Installation tool kit with 5/32" security bit for head/battery changes and small socket set



A704 SERIES MOUNTING HARDWARE OPTIONS



Additional options available. Please inquire.

6830 NW 16th Terrace • Ft. Lauderdale, FL 33309 USA
Phone: 1.937.652.3500 • E-mail: AFLsales@HugheyAndPhillips.com • www.HugheyAndPhillips.com