

L-810 Hazardous Location

LED 860 Series Red Obstruction Light



AVIATION/OBSTRUCTION LIGHTS - 9.6

FEATURES

- Available as a single or dual unit.
- Suitable for all Class 1 Div. 2, Groups A, B, C, D hazardous environments; T4 rated.
- Unique optically designed lens to enhance LED operation and provide 360° visibility.
- ATEX certified, equipment group II (surface industries) category 3 (zone 2), T4 rated.
- Up to 100,000 hours LED service life.
- Weather/corrosion resistant lamp assembly and housing.
- Self-contained wiring compartment eliminates additional boxes.
- Threaded 1" and 3/4" bottom hub for mounting.
- Can be operated steady or flashed.
- Resistant to shock and vibration.
- IP65 / IP66 / NEMA 4X rated.

COMPLIANCES

FAA AC150/5345-43F
Canadian Aviation Regulation
CAR 621.19
(Transport Canada)
ATEX equipment group II
(surface industries), category 3 (zone 2), T4 rated
ICAO (Annex 14 - Fourth Edition, July 2004)
ETL Certified

PRODUCT APPLICATION

The L-810 red obstruction light is an LED based Class I Division 2 certified fixture. Used to mark obstructions on structures in hazardous environments, these fixtures provide a valuable solution to the petrochemical industry as well as other facilities in demanding and dangerous environments.

OPERATING CONDITIONS

The fixture is designed for severe duty conditions and hazardous environments. It is designed for operation in temperatures ranging from -67 °F (-55 °C) to 131 °F (55 °C). It will withstand wind in excess of 150 mph (240 km/h).

MATERIALS/FINISH

- Cast Aluminum housing
- Stainless steel hardware
- Electrostatically applied powdercoat of aviation orange paint

ORDERING INFORMATION

Single Units

Part Number	Voltage
12004-860-2R01-001 (Class 1 Division 2)	120VAC
12004-860-2R02-001 (Class 1 Division 2)	240VAC
12004-860-9R01-001 (ATEX)	120VAC
12004-860-9R02-001 (ATEX)	240VAC

Dual Units

Part Number	Voltage
12004-860-2R01-002 (Class 1 Division 2)	120VAC
12004-860-2R02-002 (Class 1 Division 2)	240VAC
12004-860-9R01-002 (ATEX)	120VAC
12004-860-9R02-002 (ATEX)	240VAC

ORDERING INFORMATION (con't)

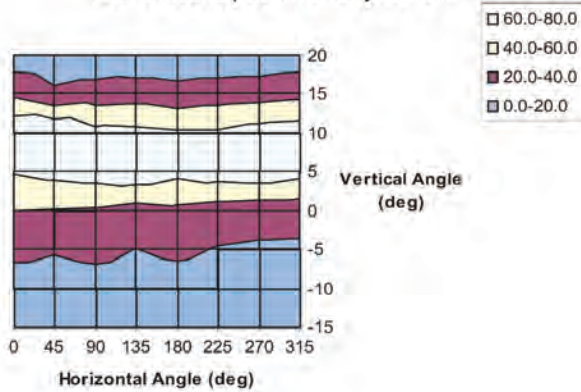
Replacement Light Assemblies

Part Number	Voltage
12004-860-2R01 (Class 1 Division 2)	120VAC
12004-860-2R02 (Class 1 Division 2)	240VAC
12004-860-9R01 (ATEX)	120VAC
12004-860-9R02 (ATEX)	240VAC

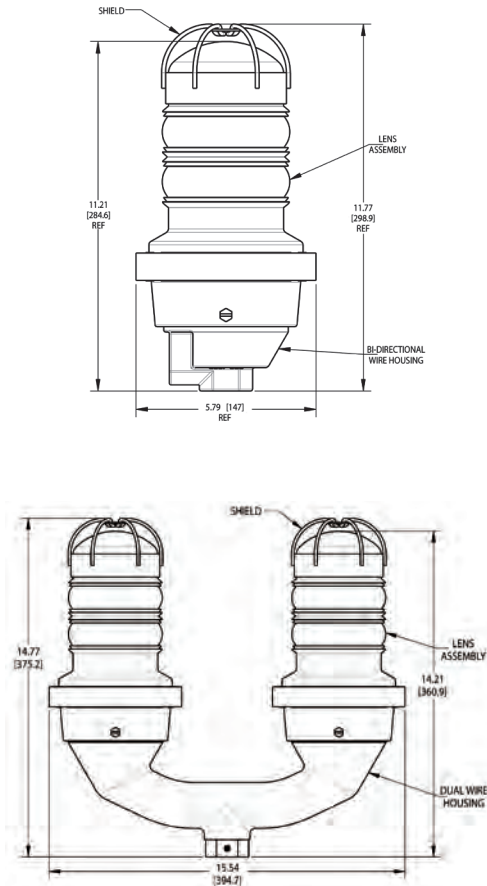
Manufactured by Unimar Lighting & Control Solutions

PHOTOMETRIC DATA

L810 Isotropic Intensity Chart



MECHANICAL DIMENSIONS



WEIGHTS & MEASUREMENTS

Model	Shipping Weight	Container Dimensions
Single Unit	7.14 lb	16" x 9" x 8" (406mm x 229mm x 203mm)
Dual Unit	16.06 lb	22" x 17" x 9" (559mm x 432mm x 229mm)

ELECTRICAL SPECIFICATIONS

	Operating Voltage			Watts (W)		
	PF	VA	Nom	Min	Type	Max
120VAC Units	.3	44	120	10	14.5	17.5
230VAC Units (50Hz)	.2	67	230	13	15	17
240VAC Units (60Hz)	.2	67	240	13	16	19

6830 NW 16th Terrace • Ft. Lauderdale, FL 33309 USA
Phone: 1.937.652.3500 • E-mail: AFLsales@HugheyAndPhillips.com • www.HugheyAndPhillips.com