

L-864/L-865 LED

Medium Intensity Lighting System



COMPLIANCES

FAA AC 150/5345-43F
 FAA Engineering Brief No. 67
 ICAO (Annex 14 - Fourth Edition, July 2004)
 ICAO Aerodromes Design Manual, Chapter 18
 ETL Certified



PRODUCT APPLICATION

The LED Medium Intensity Lighting System is designed for the lighting of obstructions to aerial navigation as specified by the FAA and FCC. The Dual L-864/L-865 uses LED technology for light output for both the Red Beacon and the White Strobe. Unlike conventional Xenon flashtube technology, little or no maintenance is required during its lifetime. Working voltages of less than 200VDC are significantly less than those of Xenon flashtube designs. Therefore, this system represents an advance in safety. The system operates from a universal 100/230VAC 50/60Hz supply and controller which can be located up to 550 ft away from the Flash Head.

SPECIFICATIONS

Operating Voltage	Universal 100/230VAC, 50/60Hz power factor corrected supply
Wattage	White Day 90W White Night 35W Red Night 25W
Candela	White Day 20,000 cd White Night 2,000 cd Red Night 2,000 cd
Power Factor	> .9
Operating Temperature	-40 °F to +131 °F (-40 °C to +55 °C)
Temperature Synchronization	Multiple unit sync from single controller (Synchronized Flasher Control-SFC)

AVIATION/OBSTRUCTION LIGHTS - 9.4

FEATURES

- Easy access, color coded terminal blocks for quick and easy installation.
- Hinged Flash Head with color coded terminal block for secure cable install.
- Strategically placed control components to simplify troubleshooting.
- "No-Fault" current limiters built in to protect system from incorrect installs.
- No high voltages as found in Xenon systems.
- Patented optics eliminate ground scatter.
- No moving or serviceable parts in Flash Head; all replacement components located at tower base.
- Resistant to shock and vibration.
- Tested and passed surge tests up to 1.9 Million V.
- No EMI or RF.
- IP66 rated.

Meets US Fish & Wildlife Services recommendation for proposed rule meeting the FCC standards (WT Docket No 03-187, FCC 06-164) regarding the protection of migratory birds.

ORDERING INFORMATION

Part Number	Description
DLS(X*)-008	Medium Intensity Dual Lighting System
WLS(X*)-008	Medium Intensity White Only Lighting System

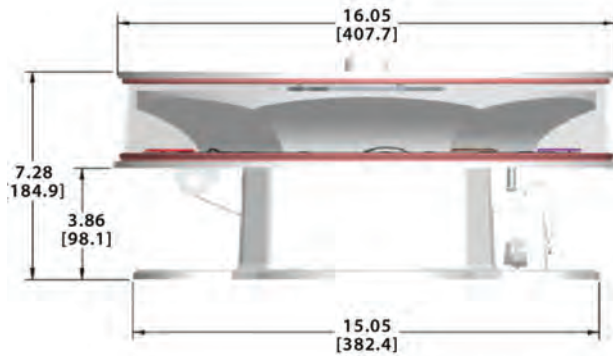
**Note: X=1 120VAC or X=2 230VAC*

Manufactured by Unimar Lighting & Control Solutions

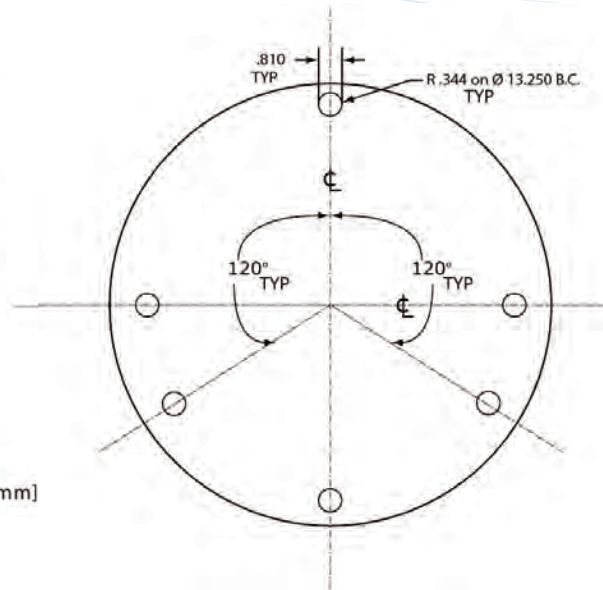


MECHANICAL DIMENSIONS

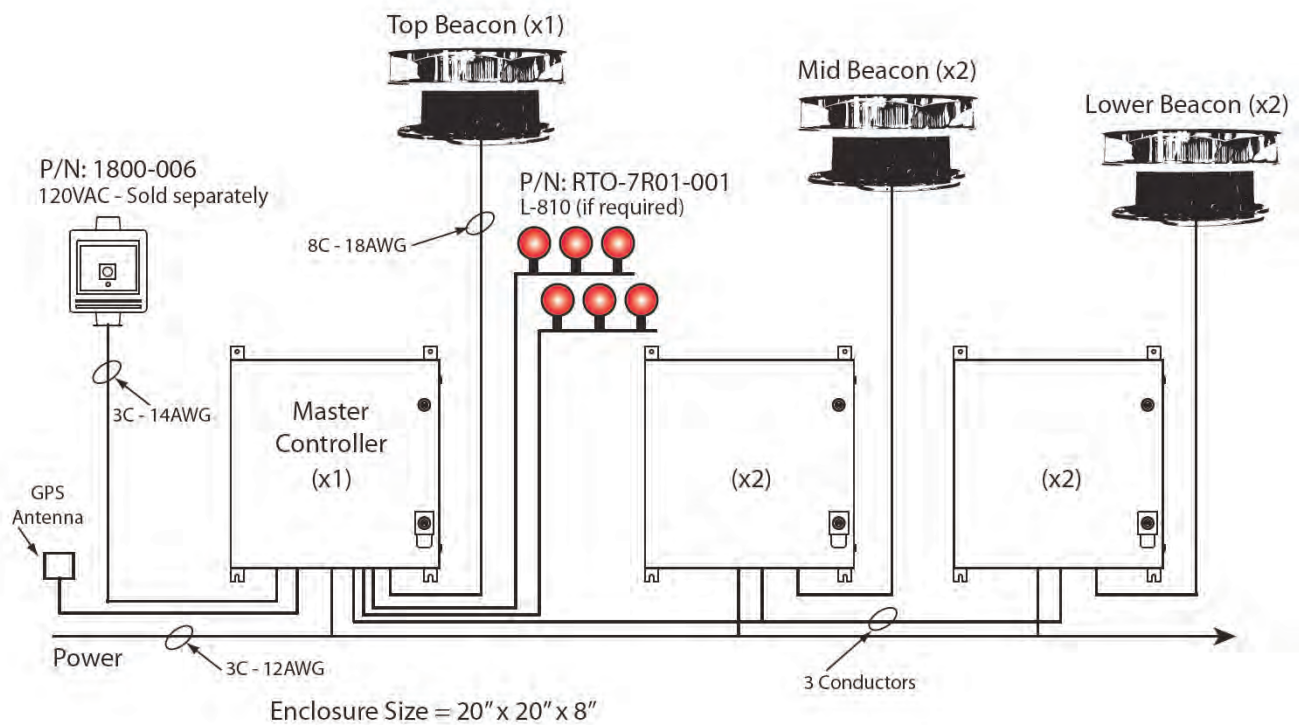
Light Engine Dimensions



Dimensions in inches [mm]



Six (6) mounting holes are provided on the Light Engine base. These mounting holes will align with most tower pedestals.



6830 NW 16th Terrace • Ft. Lauderdale, FL 33309 USA
Phone: 1.937.652.3500 • E-mail: AFLsales@HugheyAndPhillips.com • www.HugheyAndPhillips.com

Actual product specifications may have changed since the printing of this brochure.
Brochure specifications are not binding. Confirm current specifications at time of order.