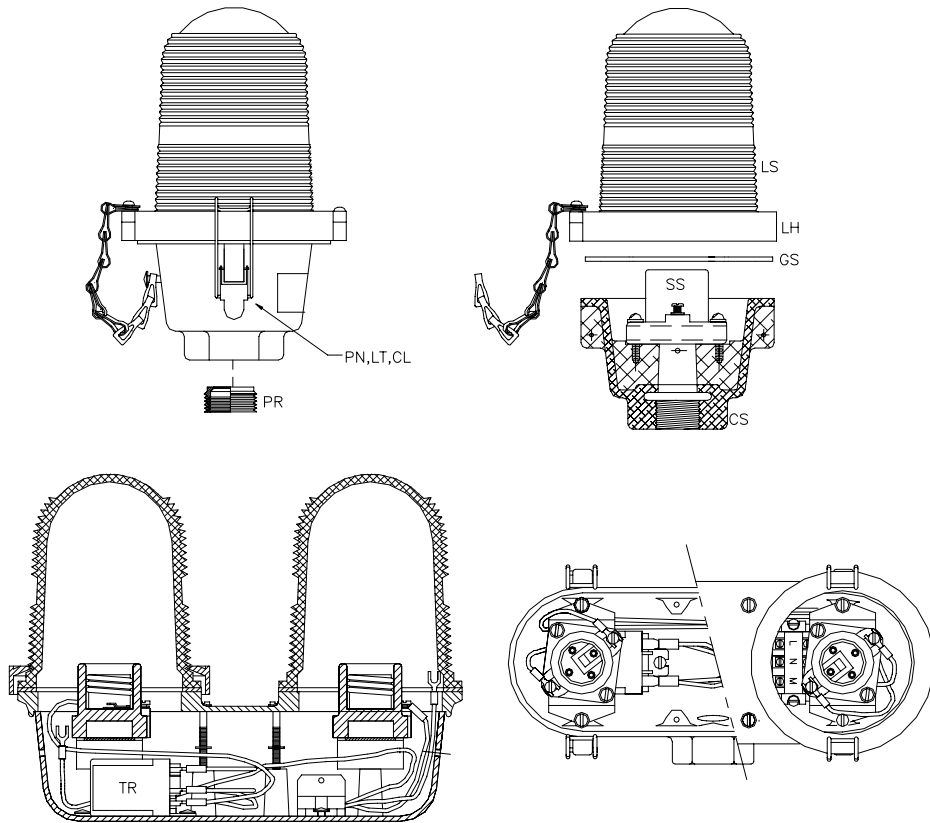


# OB20 SERIES RED OBSTRUCTION LIGHT COMPONENT LAYOUT



Item #	Description	Part Number
CC	L-810 Casting Cover, painted, double	C6A0008AB2
CL	Sidelight Latch Spring	A6A0008AJ
CS	L-810 Casting, painted, single, bottom hub	15H00600-1
CS	L-810 Casting, painted, single, side hub	C6A0005AA21
CS	L-810 Casting, painted, double, bottom hub	C6A0008AA21
CS	L-810 Casting, painted, double, side hub	C6A0022AA21
GS	Gasket, neoprene	A6A0008AG
LH	Lens Holder Assembly with 7" chain	B6A0008AA
LP	Lamp, 116W, 120V	LH116120GE
LP	Lamp, 116W, 230V	LH116230DT
LS	Lens, Red, fresnel, L-810	FL02B02810
LS	Lens, Clear	FL0CB02810
LS	Lens, Yellow	FL04B02810
LS	Lens, Green (when lit)	FL08B02810
LS	Lens, Blue (when lit)	FL06B02861T
LT	Sidelight Latch	A6A0008AD
PN	Sidelight Spring Pin	PS07501002D0
PR	1" to 3/4" Pipe reducer	PR0304B4R
SS	Lamp socket, porcelain, 660W, 250V	XLCB4S2200
TR	Transfer relay assembly with relay & sockets	6A0013SK3
TR-R	Transfer Relay, 0.3A Coil 13Amp	OBRL100