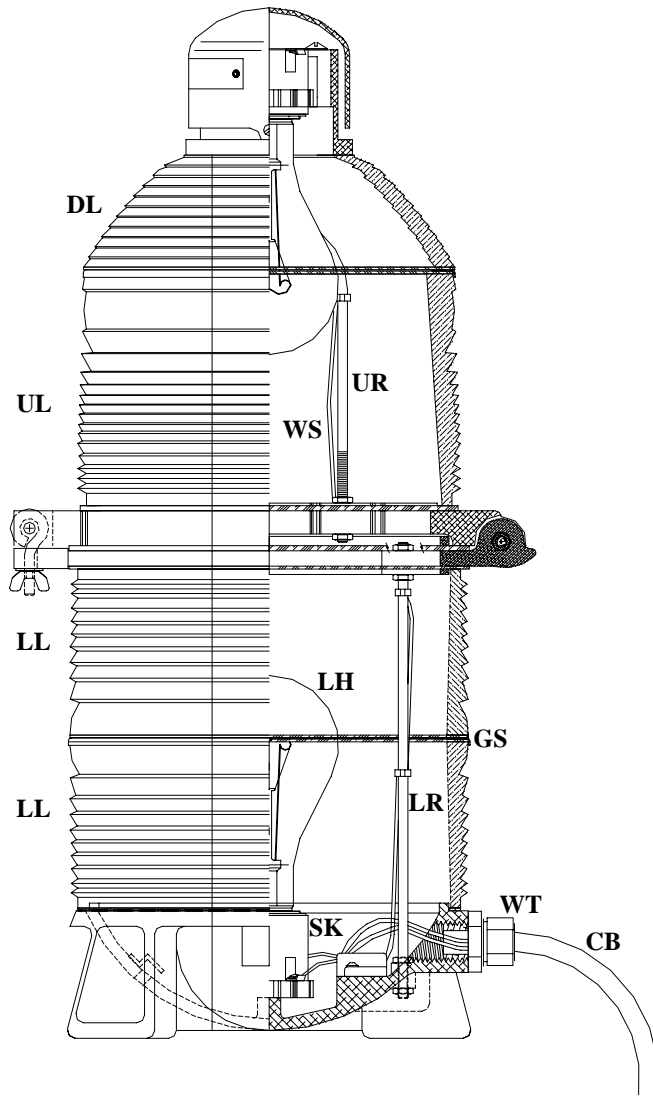


**KG114F0001 RED BEACON  
COMPONENT LAYOUT**



Item #	Description	Part Number
DL	Dome Lens, red, beacon	SFL150
UL	Upper Lens, red, beacon	SFL125
LL	Lower Lens, red, beacon (x2)	SFL100
EB	Eyebolt Assembly	6A0002SAY
WS	Wire Set Assembly	A6A0001WA
UR	Upper Beacon Rods (x3)	B6A0002AF2
LR	Lower Beacon Rods (x3)	A6A0002AG
GS	Gasket Set (9 total)	A6A0002AR
WT	Watertight Connector, 1"	WT4A037050TT
CB	Cable Assembly, #12-3C, 12 Feet	A6A0001WC12
LH	Lamp, beacon, 620 Watt, 120VAC	LH620120GE
LH	Lamp, beacon, 700 Watt, 230VAC	LH700230HDT
SK	Socket, lamp, mogul, CSA, 2500W 240V	XLFC5S300
SK	Socket, lamp, mogul, 2500W 240V	XL000001