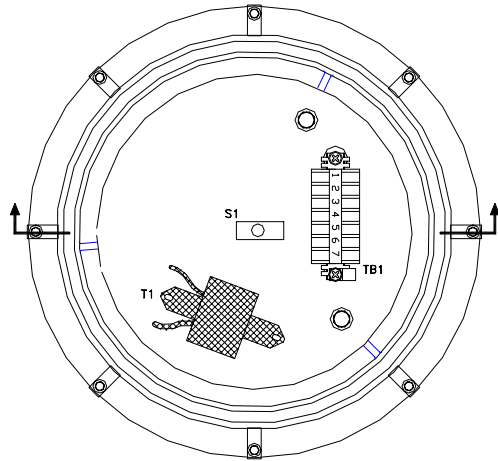
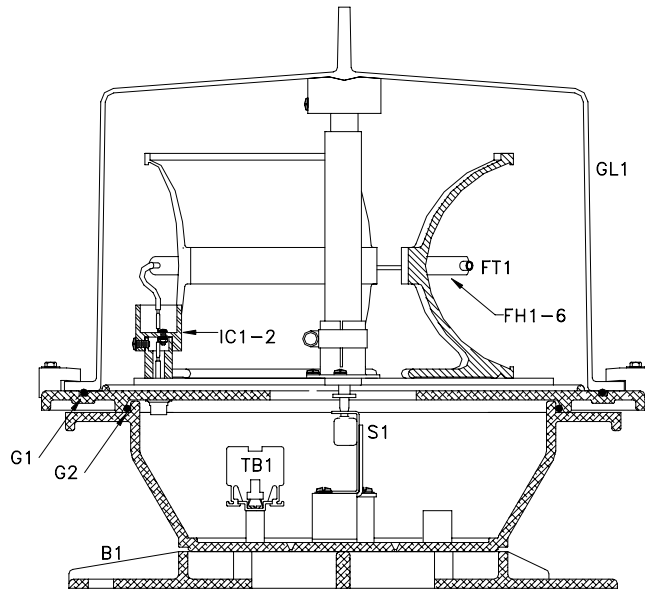


FG2000/2000B FLASHHEAD COMPONENT LAYOUT



Item #	Description	Part Number
FH1	Flashhead Complete, FG2000 (white)	*277-4045E
FH1	Flashhead Complete, FG2009 (red)	*277-4153E
FH1	Flashhead Complete, FG2000B (white)	*277-5047W
FH1	Flashhead Complete, FG2009B (red)	*277-5047R
FT1	Flashtube Assembly	12S00602
B1	Base Assembly (w/gasket & lens holders)	*77-4103
G1	Lens Gasket, 14"	AS568A-383
G2	Lower Cover Gasket, 11.5"	AS568A-380
GL1	Globe Assembly, FG2000 (white)	*77-4036-001
GL1	Globe Assembly, FG2009 & FG2009B (red)	*77-4036-003
GL1	Globe Assembly, FG2000B (white)	*77-4036-002
IC1-2	Insulator Cups	*77-4182
FH1-6	Flashtube Holder	*77-4026
S1	Interlock Switch	*77-2644
TB1	Terminal Block Assembly	*77-3965
T1	Trigger Transformer	*77-4040W