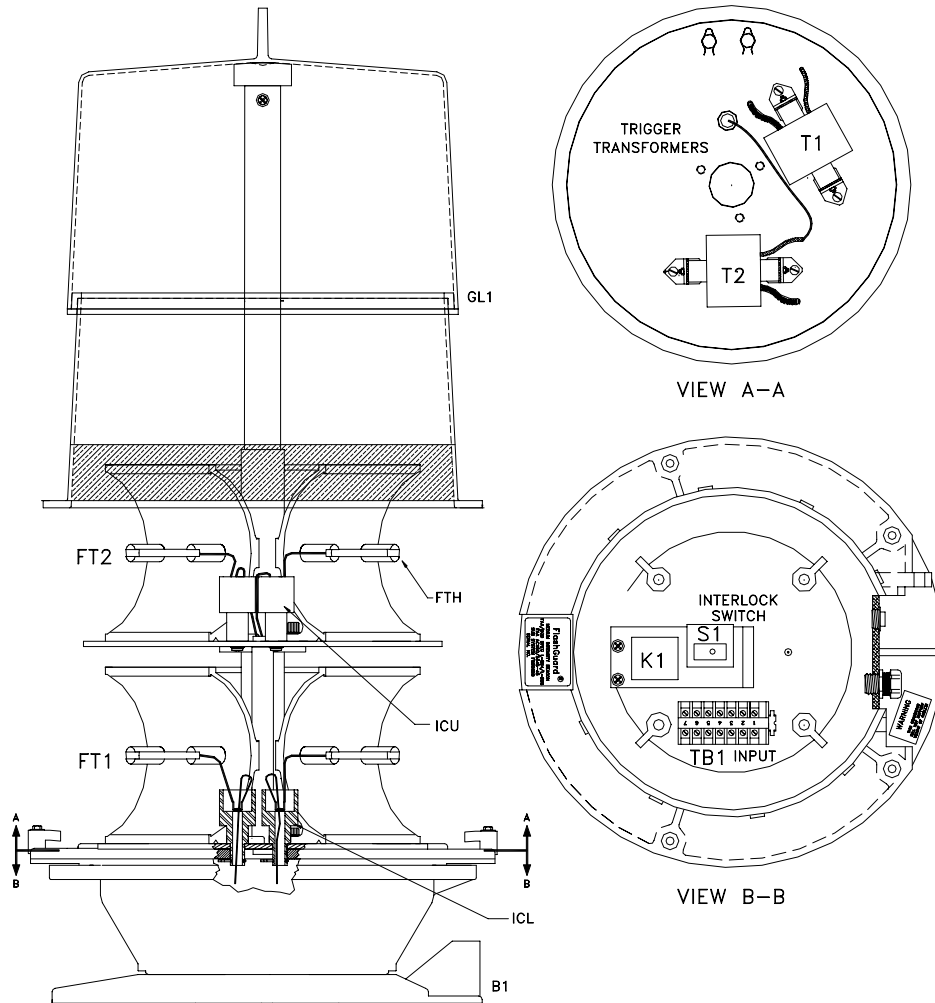


# FG3000/3000B FLASHHEAD COMPONENT LAYOUT



Item #	Description	Part Number
FH1	Flashhead Complete, FG3000	*277-4173E
FH1	Flashhead Complete, FG3000B	*277-5004RW
FT1-2	Flashtube Assembly	12S00602
B1	Base Assembly (w/gasket & globe holders)	*77-4103
G1	Lens Gasket, 14"	AS568A-383
G2	Lower Cover Gasket, 11.5"	AS568A-380
GL1	Globe Assembly, FG3000	*277-5095-004
GL1	Globe Assembly, FG3000B	*277-5095-001
ICL	Insulator Cup, Lower	*77-4182
ICU	Insulator Cup, Upper	*77-4181-001
FTH	Flashtube Holder	*77-4026
S1	Interlock Switch	*77-2644
TB1	Terminal Block Assembly	*77-3965
K1	Trigger Transformer relay (FG3000 only)	*77-4192
T1	Trigger Transformer, White	*77-4040W
T2	Trigger Transformer, Red	*77-4040R